

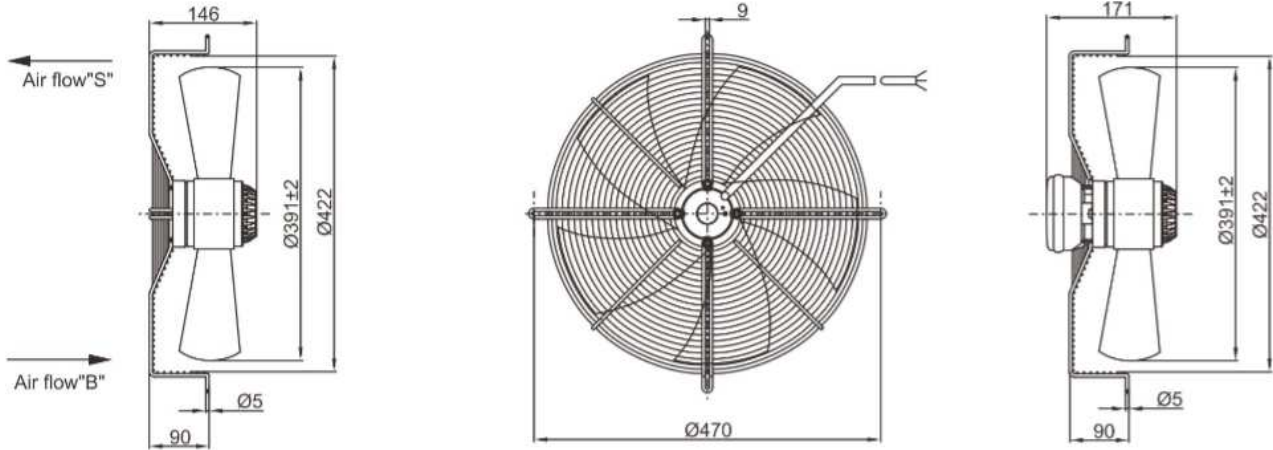


□400mm

Material: Steel **Weight:** 6.1kg / PC

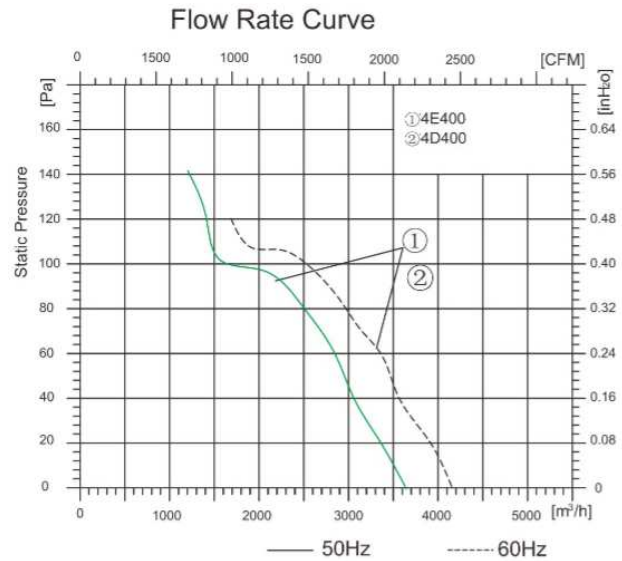


Dimension (units:mm)



Characteristic Curves

NO.	Pst (Pa)	Fre (Hz)	P1 (W)	I (A)
①	20	50	167	0.74
	70	50	179	0.80
①	20	60	242	1.08
	70	60	255	1.13
NO.	Pst (Pa)	Fre (Hz)	P1 (W)	I (A)
②	20	50	190	0.46
	70	50	211	0.48
②	20	60	237	0.43
	70	60	258	0.47



SPECIFICATION

Model	Voltage (V)	Freq. (Hz)	Current (A)	Power (W)	Speed (RPM)	Air Flow (m3/h)	Max Environmental temperature °C	Noise (dB)
4E400Z	230	50/60	0.81/1.15	180/260	1390/1590	3650/4150	65	67/72
4D400Z	380	50/60	0.46/0.48	190/260	1390/1590	3690/4150	65	67/72
6E400Z	230	50/60	0.67/0.75	115/150	940/1080	2900/3300	58	58
6D400Z	380	50/60	0.36/0.31	115/150	900/1000	2900/3300	60	60