

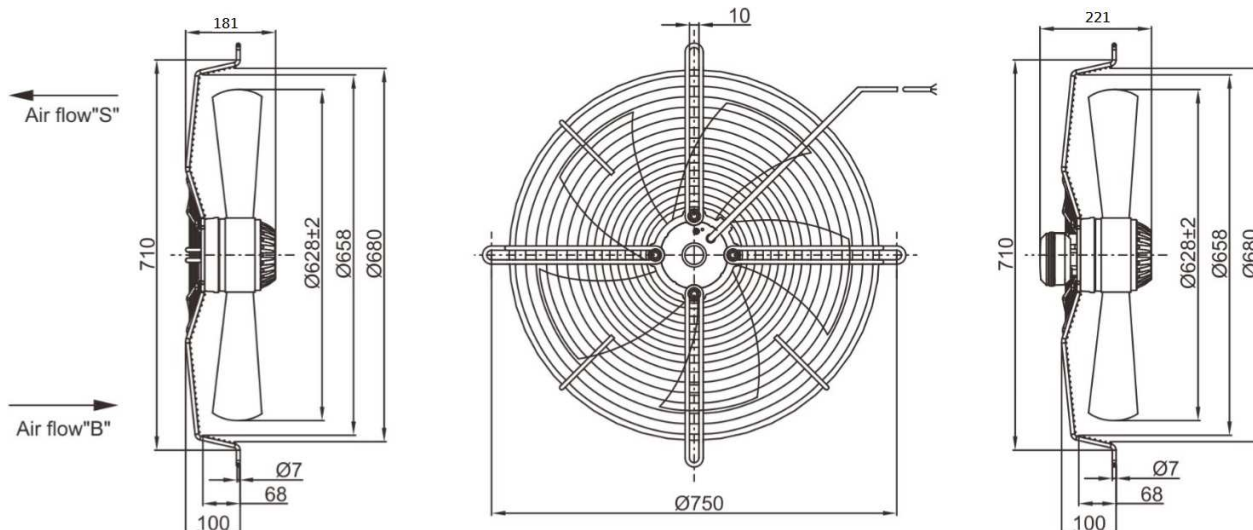


□ 630mm



**Material:** Steel **Weight:** 15kg / PC

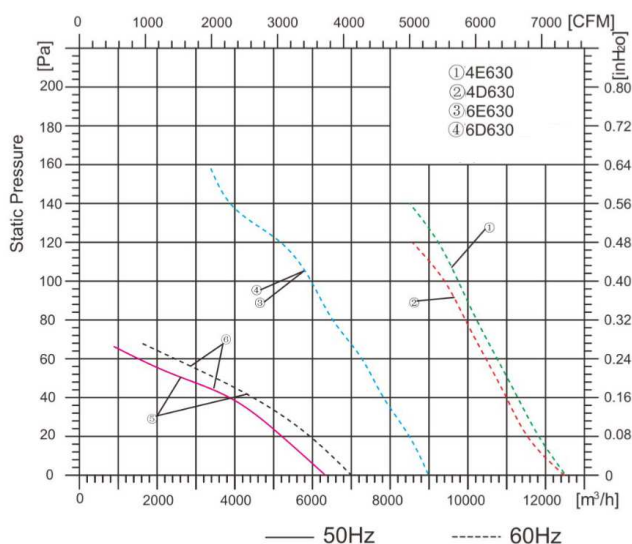
**Dimension (units:mm)**



**Characteristic Curves**

| NO. | Pst (Pa) | Fre (Hz) | P1 (W) | I (A) |
|-----|----------|----------|--------|-------|
| ①   | 20       | 60       | 890    | 3.95  |
|     | 60       | 60       | 966    | 4.2   |
| ②   | 20       | 60       | 810    | 1.51  |
|     | 80       | 60       | 941    | 1.71  |
| NO. | Pst (Pa) | Fre (Hz) | P1 (W) | I (A) |
| ③   | 20       | 60       | 444    | 2.0   |
|     | 120      | 60       | 527    | 2.34  |
| ④   | 20       | 60       | 366    | 1.1   |
|     | 120      | 60       | 550    | 1.3   |

Flow Rate Curve



**SPECIFICATION**

| Model  | Voltage (V) | Freq. (Hz) | Current (A) | Power (W) | Speed (RPM) | Air Flow (m <sup>3</sup> /h) | Max Environmental temperature °C | Noise (dB) |
|--------|-------------|------------|-------------|-----------|-------------|------------------------------|----------------------------------|------------|
| 4E630Z | 230         | 60         | 4.15        | 950       | 1550        | 12500                        | 50                               | 81         |
| 4D630Z | 380         | 50/60      | 1.67/1.78   | 850/950   | 1300/1560   | 12500                        | 50                               | 81         |
| 6E630Z | 230         | 60         | 2.6         | 580       | 1050        | 9000                         | 50                               | 76         |
| 6D630Z | 380         | 60         | 1.3         | 550       | 1100        | 9000                         | 50                               | 76         |

AC Axial Fan