



□120x120x31 mm
(□4.72x4.72x1.22 in)



Frame: Aluminum die cast

Impeller : Plastic

Ambient Temperature Range: -20°C ~ +70°C

Operating Voltage Range: Rated Voltage ±10%

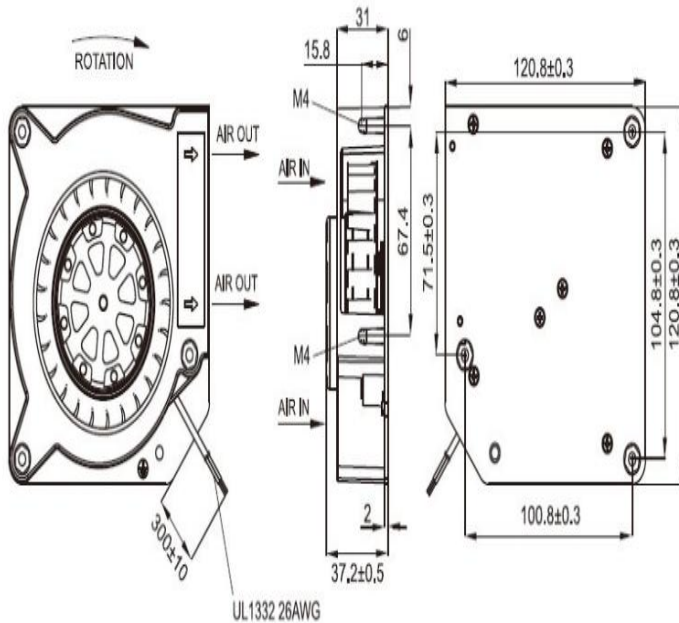
Bearing: Ball bearing

Motor Structure: Shaded pole or Capacitor induction

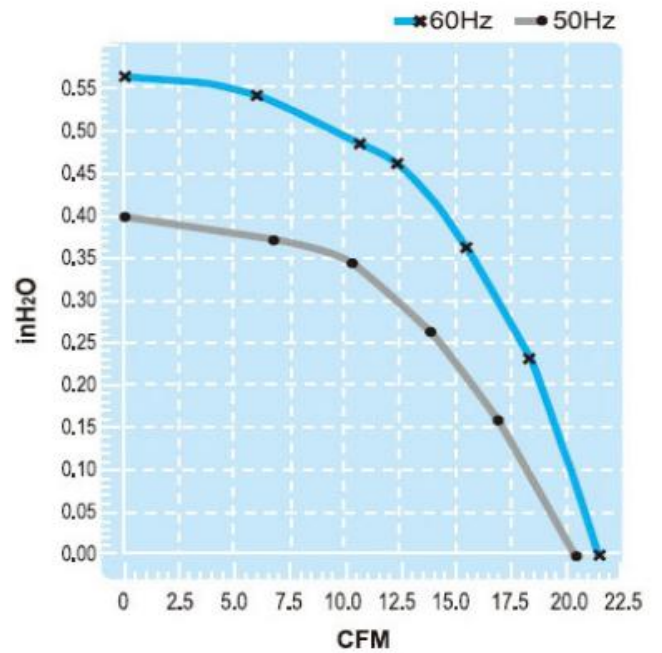
Termination: Lead wire

Package: 660g / PC

Dimension (units:mm)



Characteristic Curves



AC Blower Fan

SPECIFICATION

Model	Voltage (V)	Freq. (Hz)	Power (W)	Speed (RPM)	Air Flow (CFM)	Pressure (mm Aq)	Noise (dB)
CYB11231HB	115	50/60	19/18	2500/2700	20/21	10/13	49/51
CYB21231HB	230	50/60	19/18	2500/2700	20/21	10/13	49/51