



# Double Inlet Blower 220v 4Pole Performance



**Impeller:** Steel

**Ambient Temperature Range:** -20°C ~ +70°C

**Insulation:** F class

**Bearing:** Ball

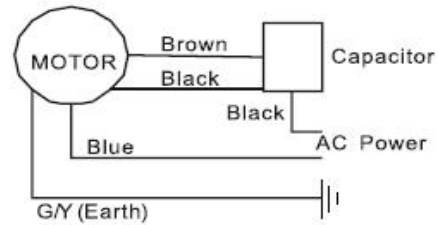
**Motor Structure:** Outer rotor Motor

**Motor protection:** Thermal Protected

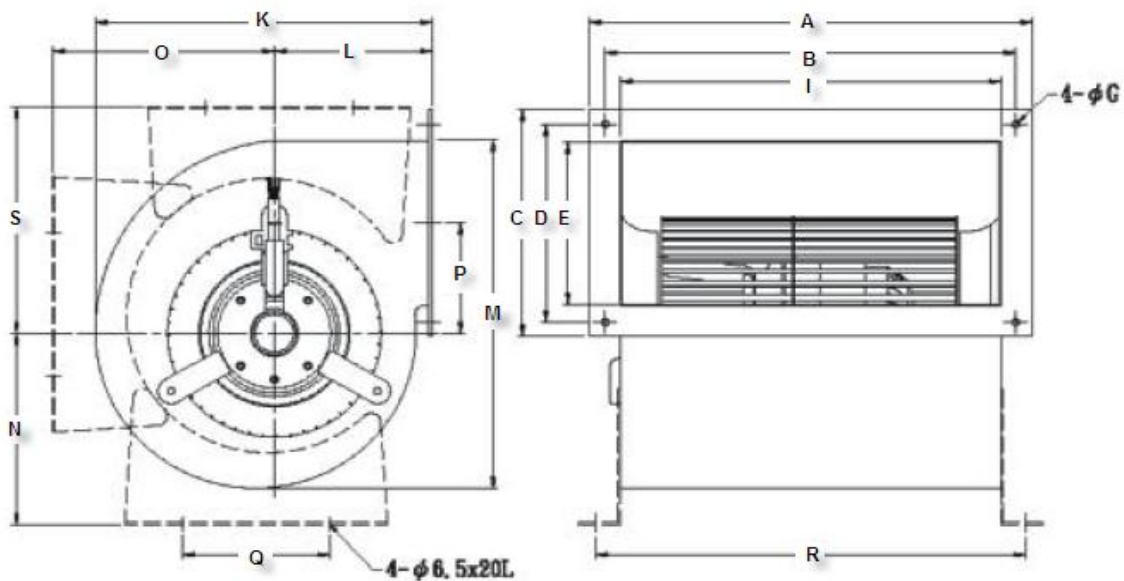
**Termination:** Lead wire

## Dimension (units:mm)

### Outline Dimension Data



Wiring Connection



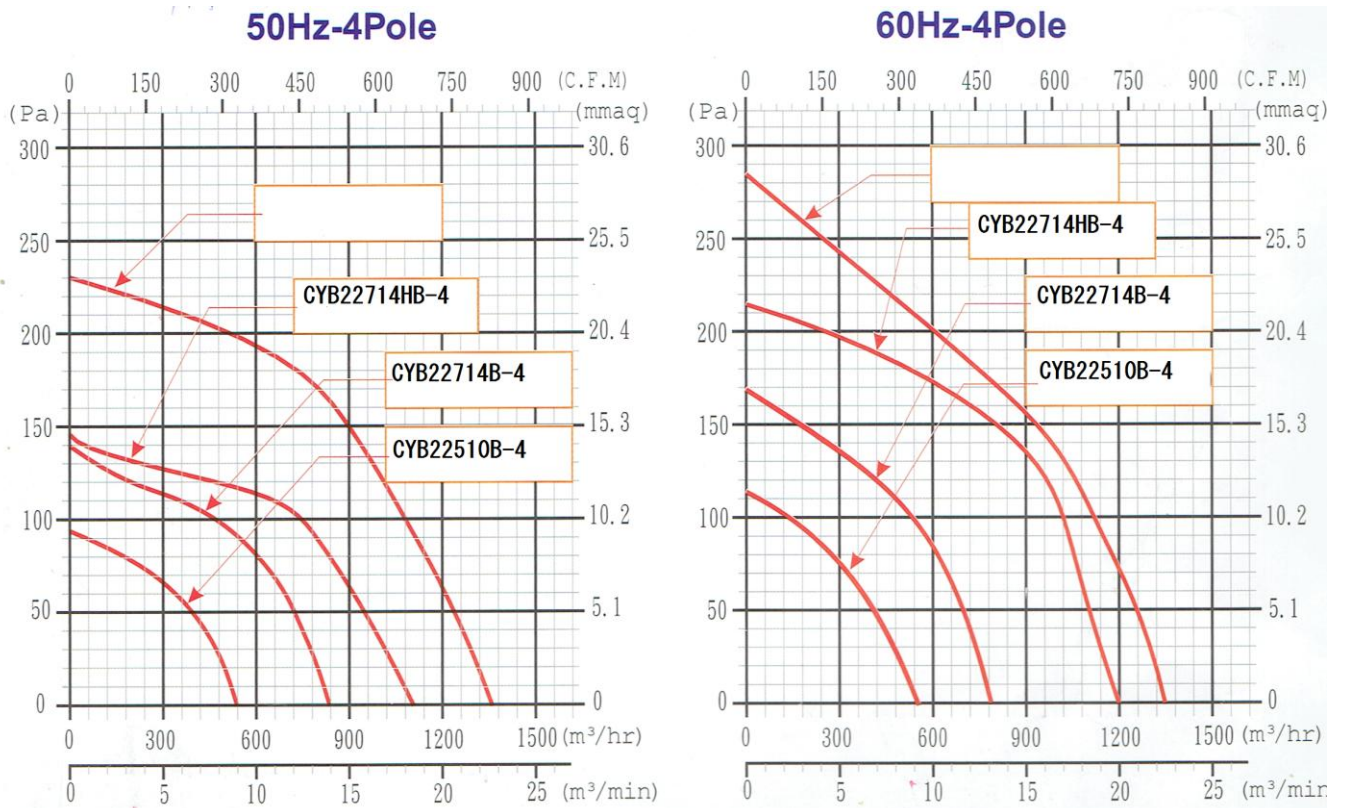
Model	A	B	C	D	E	G	I	K	L	M	P	N	O	S	Q	R
<b>CYB22510B-4</b>	254	238	108	92	67	5.5	215	172	89	180	65.5	~	~	~	~	~
<b>CYB22714B-4</b>	270	254	142	126	102	5.5	232	206	97	219	69	120	135	142	90	260
<b>CYB22714HB-4</b>	270	254	142	126	102	5.5	232	238	143	238	80	~	~	~	~	~



# Double Inlet Blower 220v 4Pole Performance



## Dimension (units:mm)



## SPECIFICATION

Model	Voltage (V)	Freq. (Hz)	Current (A)	Power (W)	Speed (RPM)	Air Flow (m³/hr)	Noise (dB)
CYB22510B-4	220	50/60	0.3/0.37	65/80	1170/1200	535/550	55/56
CYB22714B-4	220	50/60	0.46/0.55	100/120	1000/950	835/790	55/58
CYB22714HB-4	220	50/60	0.67/1.51	145/190	1285/1380	1100/1210	58

AC Blower Fan