



Double Inlet Blower 110v 2Pole Performance



Impeller: Steel

Ambient Temperature Range: -20°C ~ +70°C

Insulation: F class

Bearing: Ball

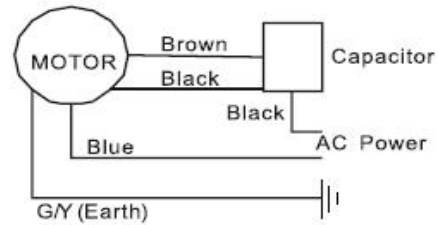
Motor Structure: Outer rotor Motor

Motor protection: Thermal Protected

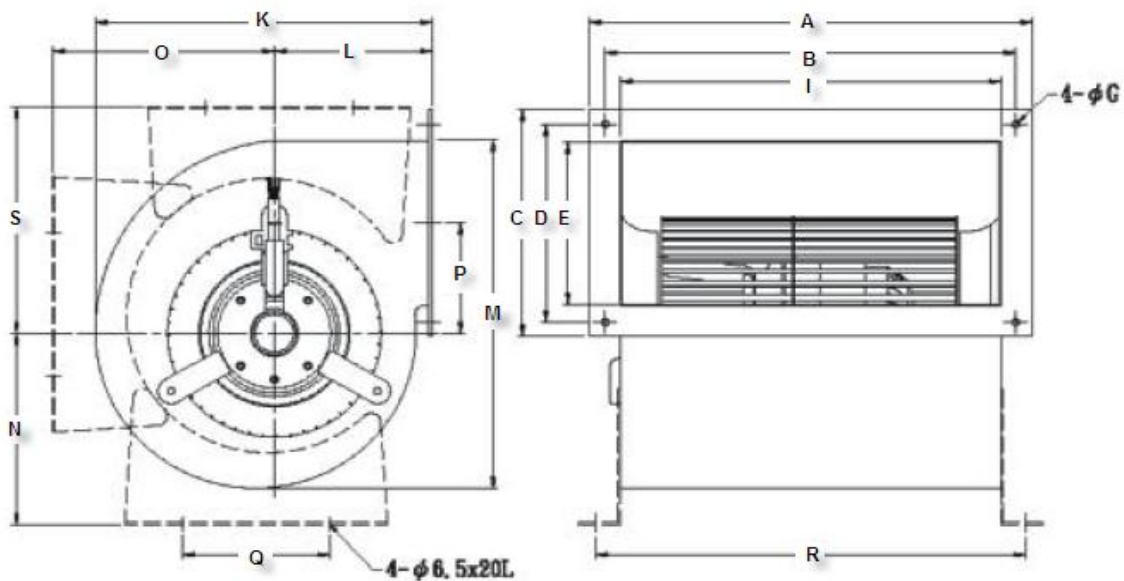
Termination: Lead wire

Dimension (units:mm)

Outline Dimension Data



Wiring Connection



Model	A	B	C	D	E	G	I	K	L	M	P	N	O	S	Q	R
CYB12510B	254	238	108	92	67	5.5	215	172	89	180	65.5	~	~	~	~	~
CYB12714B	270	254	142	126	102	5.5	232	206	97	219	69	120	135	142	90	260

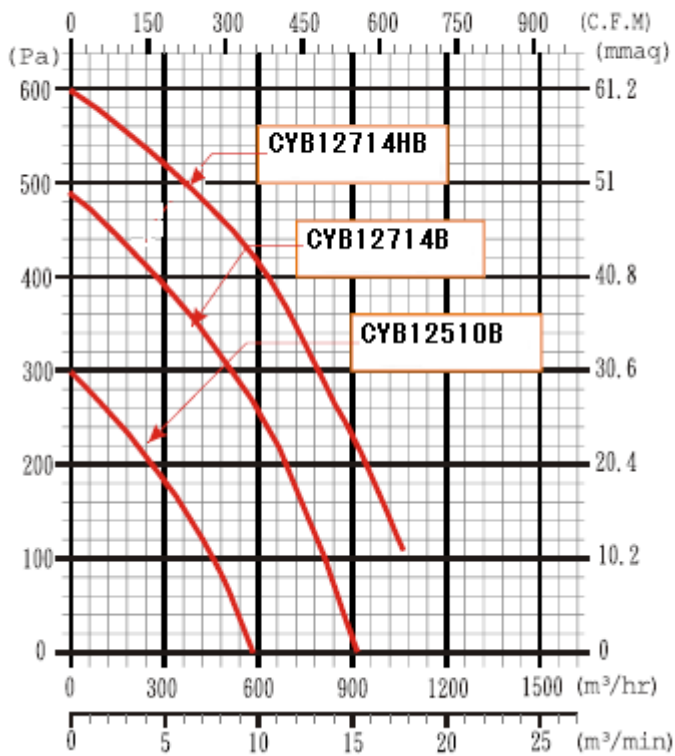


Double Inlet Blower 110v 2Pole Performance



Characteristic Curves:

60Hz-2Pole



SPECIFICATION

Model	Voltage (V)	Freq. (Hz)	Current (A)	Power (W)	Speed (RPM)	Air Flow (m³/hr)	Noise (dB)
CYB12510B	110	60	1.52	165	1290	580	56
CYB12714B	110	60	2.3	250	1040	910	63
CYB12714HB	110	60	3.02	330	1610	1040	72