



Double Inlet Blower 220v 2Pole Performance



Impeller: Steel

Ambient Temperature Range: -20°C ~ +70°C

Insulation: F class

Bearing: Ball

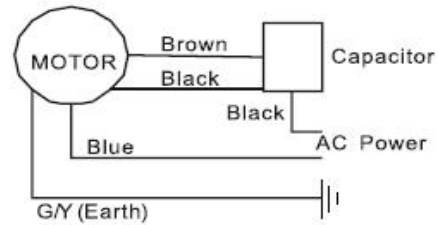
Motor Structure: Outer rotor Motor

Motor protection: Thermal Protected

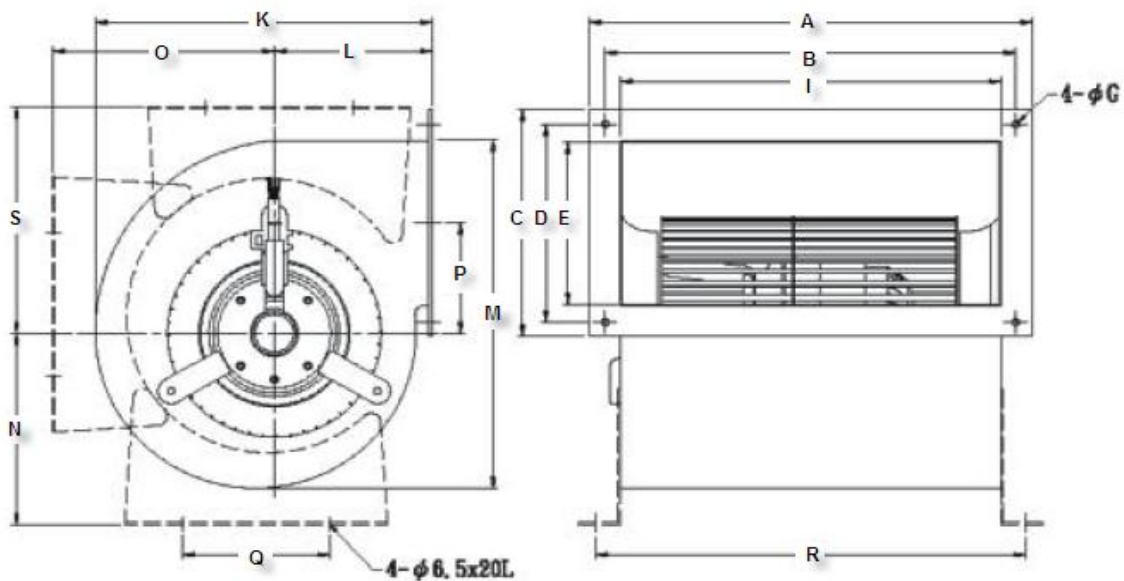
Termination: Lead wire

Dimension (units:mm)

Outline Dimension Data



Wiring Connection



Model	A	B	C	D	E	G	I	K	L	M	P	N	O	S	Q	R
CYB22510B	254	238	108	92	67	5.5	215	172	89	180	65.5	~	~	~	~	~
CYB22714B	270	254	142	126	102	5.5	232	206	97	219	69	120	135	142	90	260

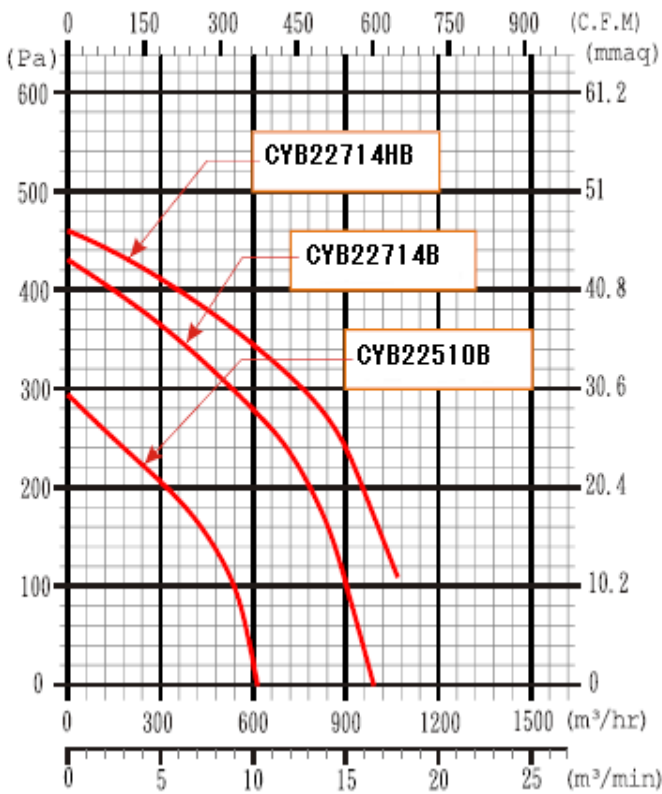


Double Inlet Blower 220v 2Pole Performance

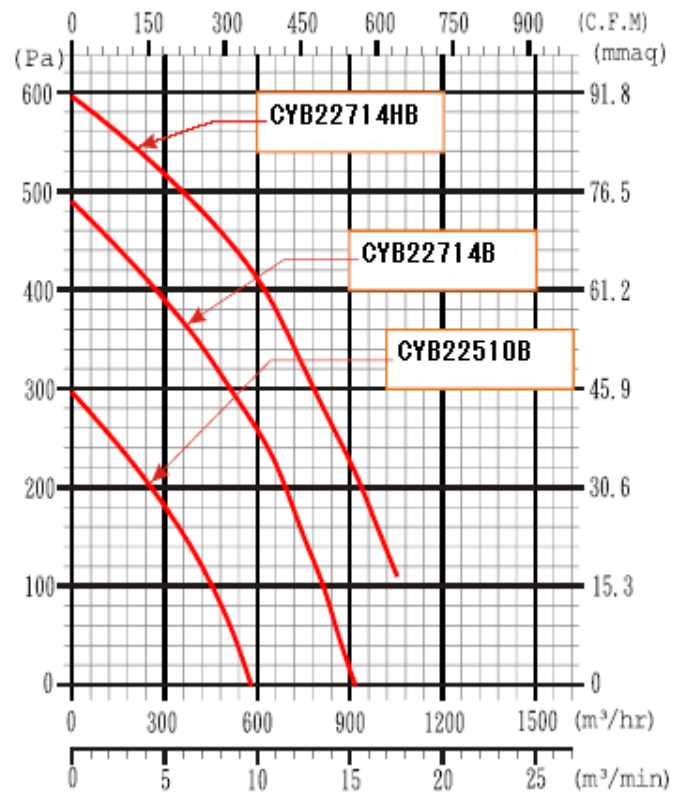


Characteristic Curves:

50Hz-2Pole



60Hz-2Pole



SPECIFICATION

Model	Voltage (V)	Freq. (Hz)	Current (A)	Power (W)	Speed (RPM)	Air Flow (m³/hr)	Noise (dB)
CYB22510B	220	50/60	0.69/0.76	150/165	1440/1290	610/580	59/56
CYB22714B	220	50/60	1.03/1.15	225/250	1130/1040	990/910	61
CYB22714HB	220	50/60	1.3/1.5	285/330	1690/1610	1065/1045	63