



Single Inlet Blower 220v 2Pole Performance



Impeller: Steel

Ambient Temperature Range: -20°C ~ +70°C

Insulation: F class

Bearing: Ball

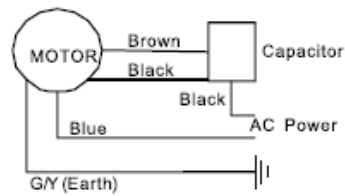
Motor Structure: Outer rotor Motor

Motor protection: Thermal Protected

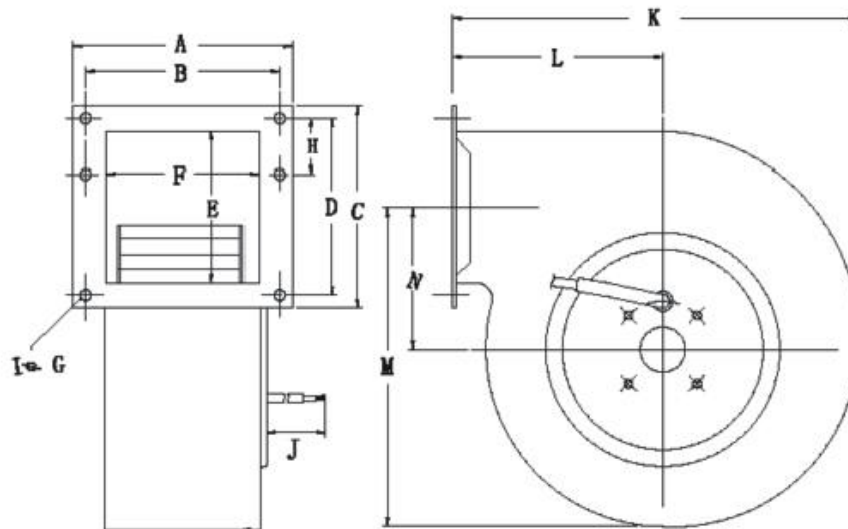
Termination: Lead wire

Dimension (units:mm)

Outline Dimension Data



Wiring Connection



AC Blower Fan

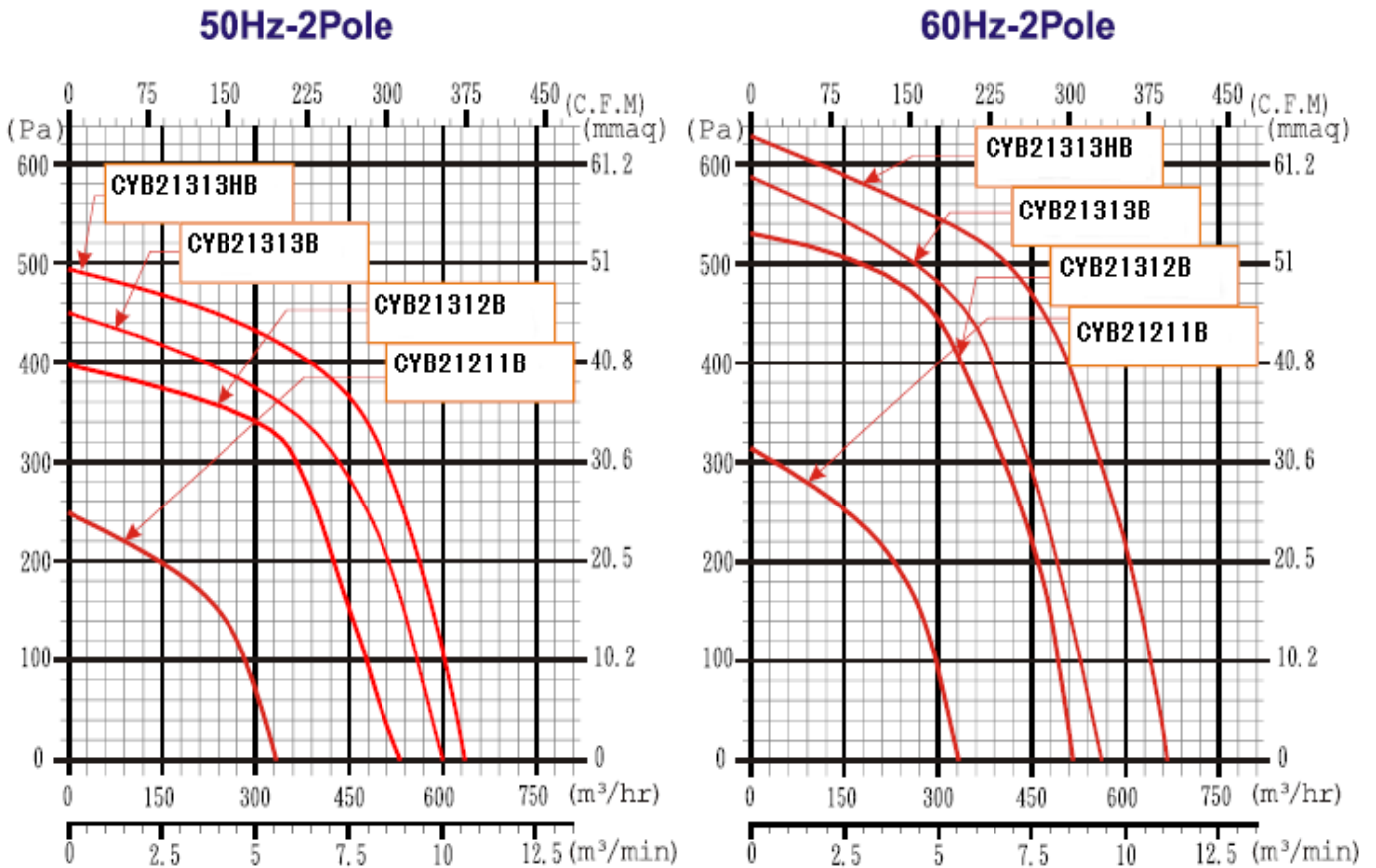
Model	A	B	C	D	E	F	G	H	I	J	K	L	M	N
CYB21211B	120	100	110	90	86	78	6.5	~	4	560	208	102	166	77
CYB21312B	130	115	120	105	90	92	6.5	~	4	560	226	104	203	94
CYB21313B	130	115	120	105	90	92	6.5	~	4	560	226	104	203	94



Single Inlet Blower 220v 2Pole Performance



Characteristic Curve:



SPECIFICATION

Model	Voltage (V)	Freq. (Hz)	Current (A)	Power (W)	Speed (RPM)	Air Flow (m ³ /hr)	Noise (dB)
CYB21211B	220	50/60	0.41/0.5	90/110	2010/2080	355/340	63/64
CYB21312B	220	50/60	0.71/0.86	190/225	2140/2060	535/525	64/63
CYB21313B	220	50/60	0.93/1.12	205/245	2075/1980	600/565	68/67
CYB21313HB	220	50/60	1.1/1.38	235/300	2190/2200	625/640	72/72