



□100x98x25 mm



Impeller / Housing: Plastic Material UL 94V-0 P.B.T

Ambient Temperature Range: -10°C ~ +70°C

Operating Voltage Range: Rated Voltage ±10%

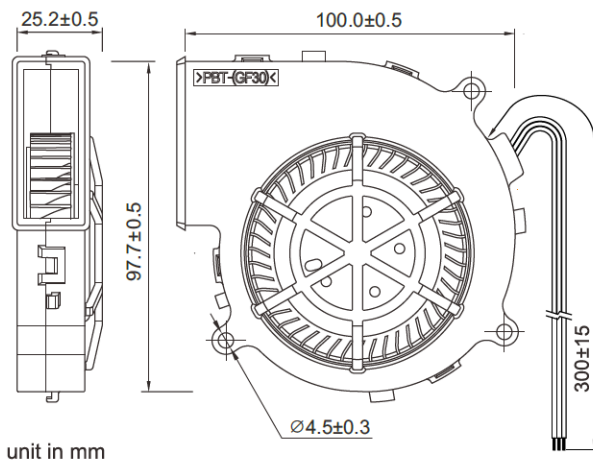
Bearing: Ball

Motor Structure: DC brushless

Termination: Lead wire 300 mm

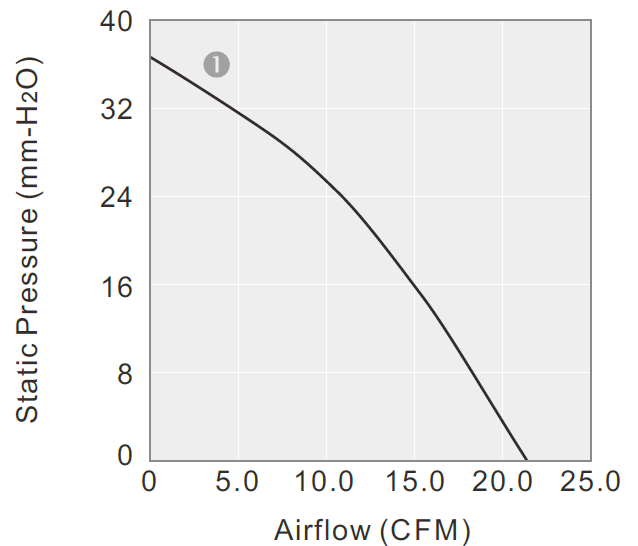
Package: 120 g / PC

Dimension (units:mm)



unit in mm

Characteristic Curves



DC Blower Fan

SPECIFICATION

Model	Voltage (V)	Current (A)	Power (W)	Speed (RPM)	Air Flow (CFM)	Pressure (in-H ₂ O)	Noise (dB)
CDB121025XBL	12	0.55	7.43	4200	21.4	1.45	54.8