



# □126x126x32mm



**Frame:** Die cast aluminum

**Impeller:** Glass fiber reinforced PBT thermoplastic, UL94V-0 impeller

**Ambient Temperature Range:** -20°C ~ +70°C

**Operating Voltage Range:** Rated Voltage ±10%

**Bearing:** Ball

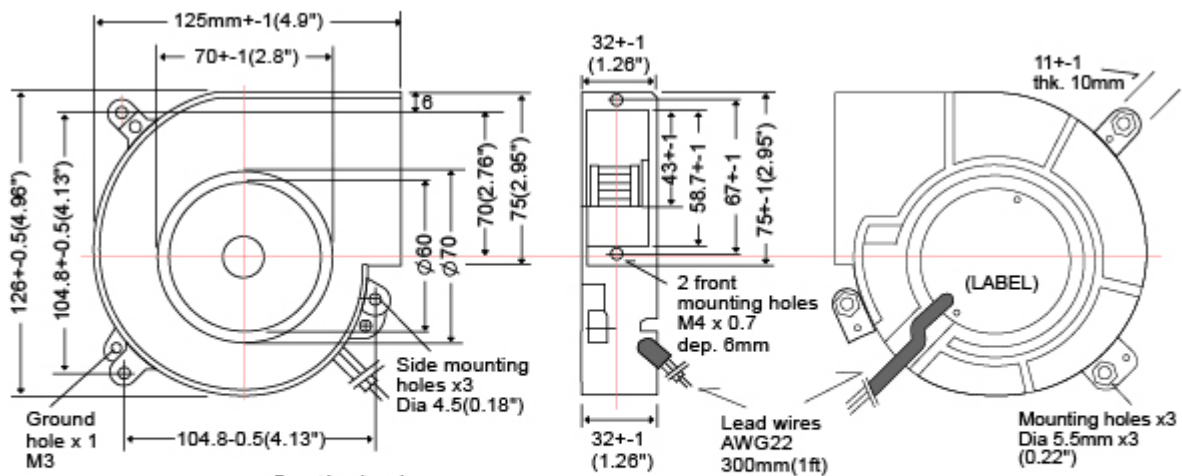
**Motor Structure:** Microprocessor brushless DC, auto cutoff/restart, locking

**Motor protection:** polarity protected

**Termination:** Lead wire 300 mm

**Package:** 360g / PC

## Dimension (units:mm)



### Function Leads

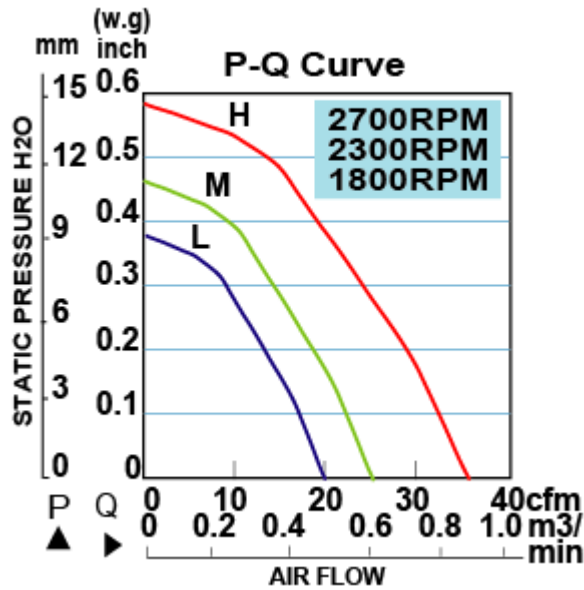
Color	Function
Red color	Alarm R/D- Yellow color
5V Green	Tacho F/G- White color
12V Blue	Speed control:
24V Black	Themister NT S/C- Orange
38V Brown	Pulse W. Mod. PWM- Purple
48V Brown	Speed setting vs Vol. S/S- Gray



□126x126x32mm



### Characteristic Curves



## SPECIFICATION

Model	Voltage (V)	Current (A)	Power (W)	Speed (RPM)	Air Flow (CFM)	Pressure (in-H <sub>2</sub> O)	Noise (dB)
CDB051232HBL	5	0.65	3.8	2300	30	0.45	43
CDB121232HBL	12	0.6	7.2	2800	33	0.53	47
CDB241232HBL	24	0.37	8.8	2800	33	0.53	47
CDB481232HBL	48	0.15	7.2	2800	33	0.53	47

**Note: We also offer Medium and Low Speed**