



□ 15x15x04 mm



**Motor:** DC single phase brushless motor

**Material:** Plastic(94V-0)

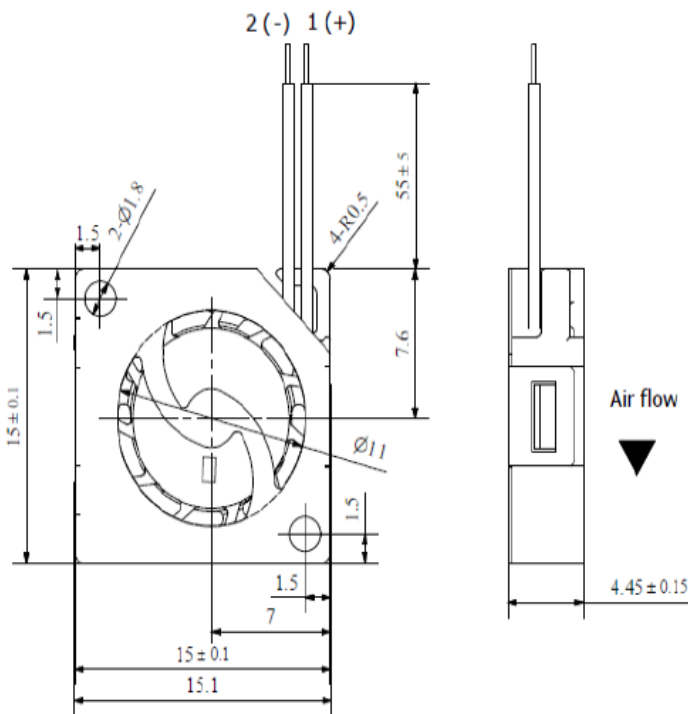
**Bearing:** Sleeve bearing

**Operation Temperature:** -10°C ~ +60°C

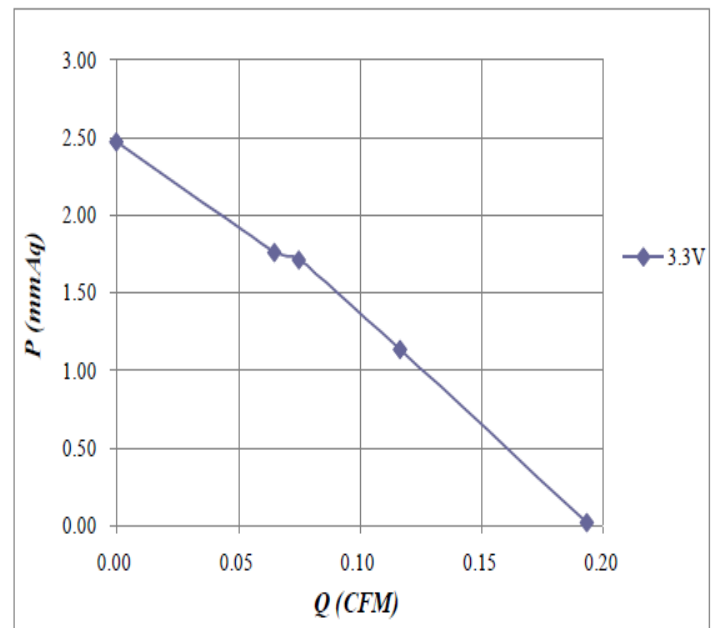
**Storage Temperature:** -20°C ~ +70°C

**Weight:** 1.38 g / PC

Drawing:



Characteristic Curves



**SPECIFICATION**

Model	Voltage (V)	Operating Voltage Range(VDC)	Current (A)	Speed (RPM)	Air Flow (CFM)	Pressure (in-H2O)	Noise (dB)
CDB031504	3.3	2.5 – 3.6	0.035	14500	0.19	2.47	18.6

Micro DC Blower Fan