



□180X190X70mm



Frame: Die cast aluminum

Impeller: Glass fiber reinforced PBT thermoplastic, UL94V-0 impeller

Ambient Temperature Range: -20°C ~ +70°C

Operating Voltage Range: Rated Voltage ±10%

Bearing: Ball

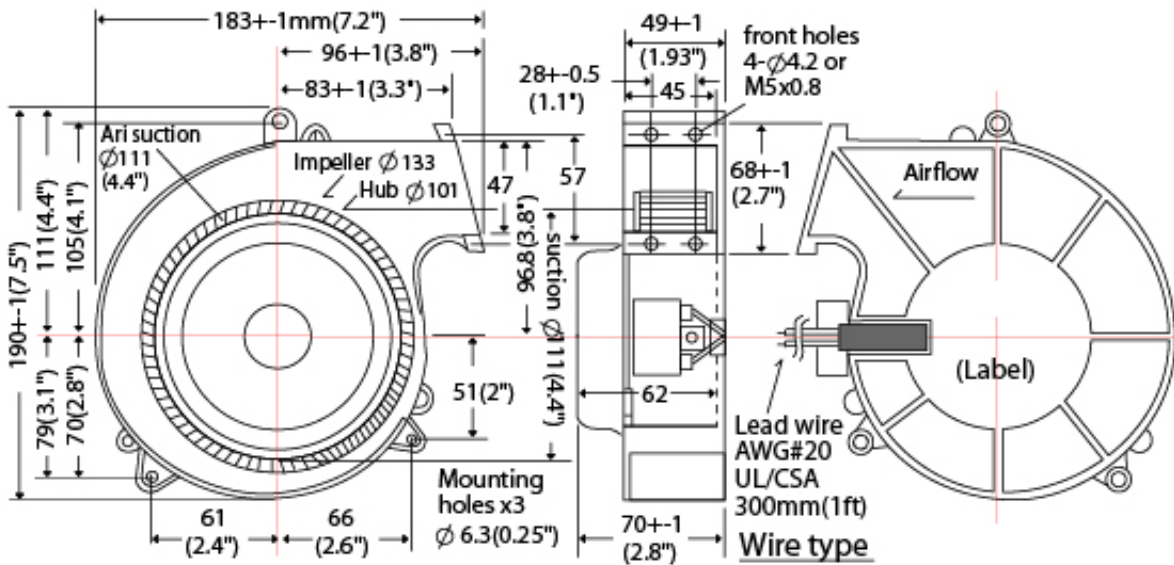
Motor Structure: Microprocessor brushless DC, auto cutoff/restart, locking

Motor protection: polarity protected

Termination: Lead wire 300 mm

Package: 1500g / PC

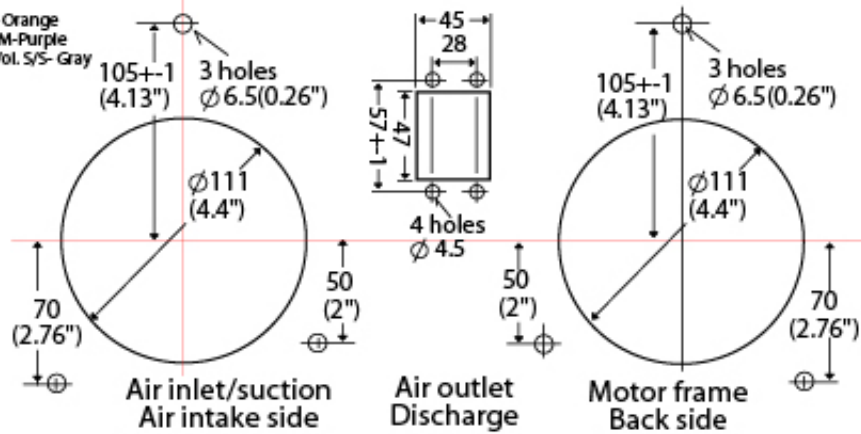
Dimension (units:mm)



Function Leads

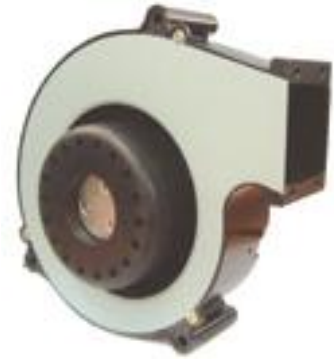
+	Red color	Alarm R/D- Yellow color
M	5V Green	Tacho F/G- White color
-	12V Blue	Speed control:
	24V Black	Thermister NT S/C- Orange
	38V Brown	Pulse W. Mod. PWM- Purple
	48V Brown	Speed setting vs Vol. S/S- Gray

Dimension of installation holes

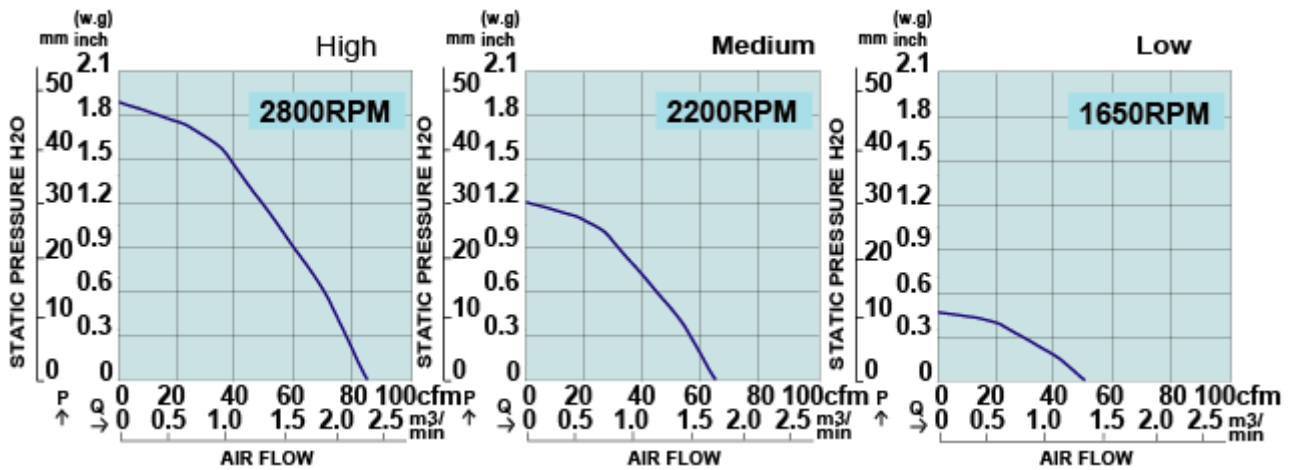




□180X190X70mm



Characteristic Curves



SPECIFICATION

Model	Voltage (V)	Current (A)	Power (W)	Speed (RPM)	Air Flow (CFM)	Pressure (in-H ₂ O)	Noise (dB)
CDB121870XBL	12	5.4	64.8	3100	93	2.1	68
CDB241870XBL	24	2.65	63.6	3400	105	2.3	70
CDB481870XBL	48	1.3	62.4	3400	105	2.3	70

Note: We also offer Medium and Low Speed