



□ 20x20x04 mm



Motor: DC single phase brushless motor

Material: Plastic(94V-0)

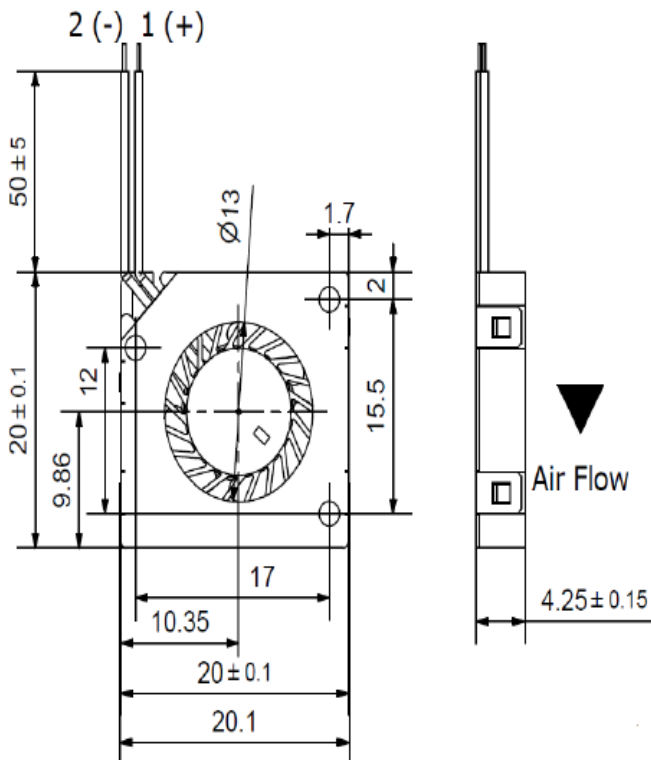
Bearing: Sleeve bearing

Operation Temperature: -10°C ~ +60°C

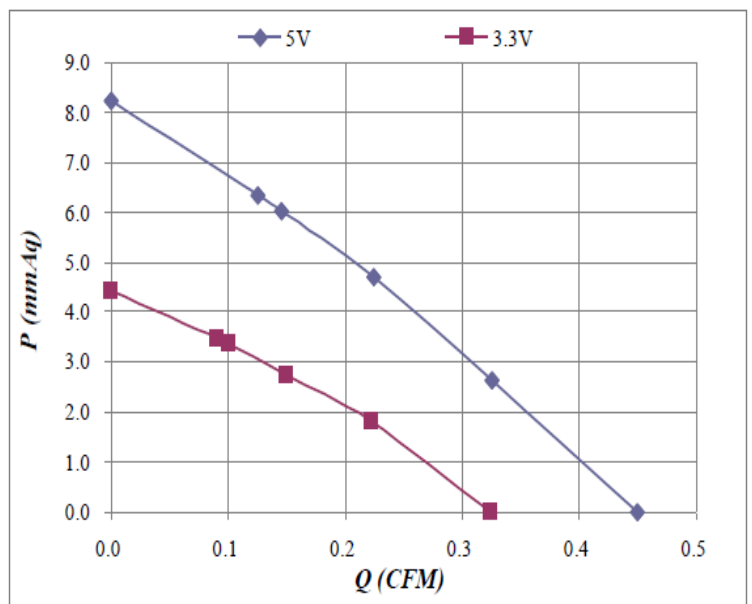
Storage Temperature: -20°C ~ +70°C

Weight: 2.1 g / PC

Drawing:



Characteristic Curves



SPECIFICATION

Model	Voltage (V)	Operating Voltage Range(VDC)	Current (A)	Speed (RPM)	Air Flow (CFM)	Pressure (in-H2O)	Noise (dB)
CDB032004	3.3	2.5 – 3.6	0.037	10000	0.32	4.43	17.5
CDB052004	5	4.5 – 5.5	0.057	13000	0.45	8.23	21.5

Micro DC Blower Fan