



□ 20x20x08 mm



Motor: DC single phase brushless motor

Material: Plastic(94V-0)

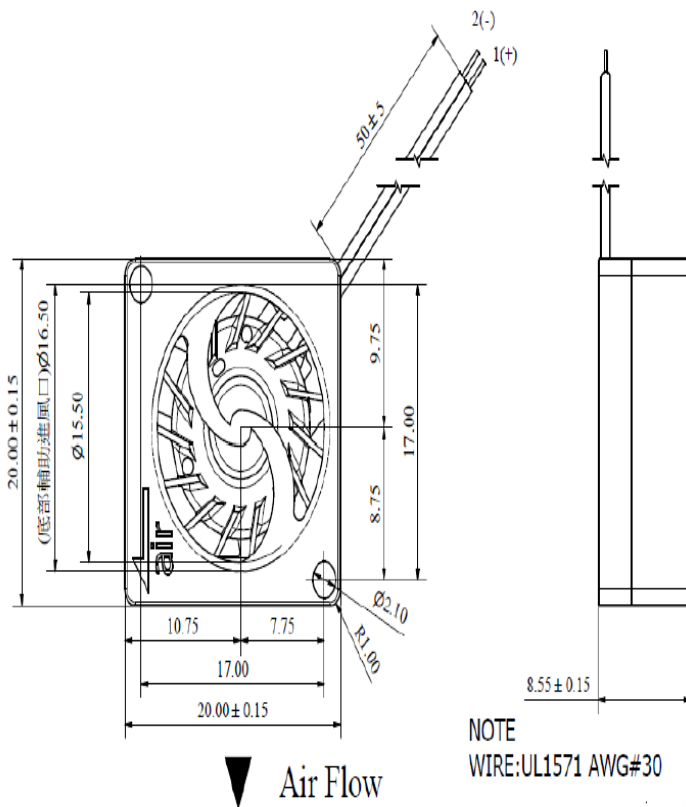
Bearing: Sleeve bearing

Operation Temperature: -10°C ~ +60°C

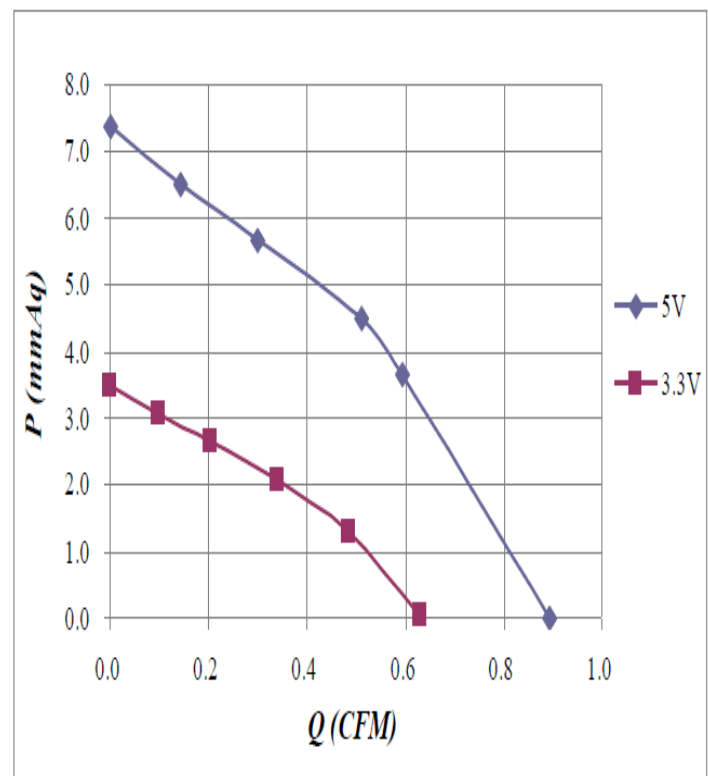
Storage Temperature: -20°C ~ +70°C

Weight: 2.9 g / PC

Drawing:



Characteristic Curves



SPECIFICATION

| Model | Voltage (V) | Operating Voltage Range(VDC) | Current (A) | Speed (RPM) | Air Flow (CFM) | Pressure (in-H2O) | Noise (dB) |
|-----------|-------------|------------------------------|-------------|-------------|----------------|-------------------|------------|
| CDB032008 | 3.3 | 2.8 – 3.6 | 0.085 | 10000 | 0.63 | 3.48 | 21.8 |
| CDB052008 | 5 | 4.5 – 5.5 | 0.125 | 14000 | 0.89 | 7.36 | 31.1 |

Micro DC Blower Fan