

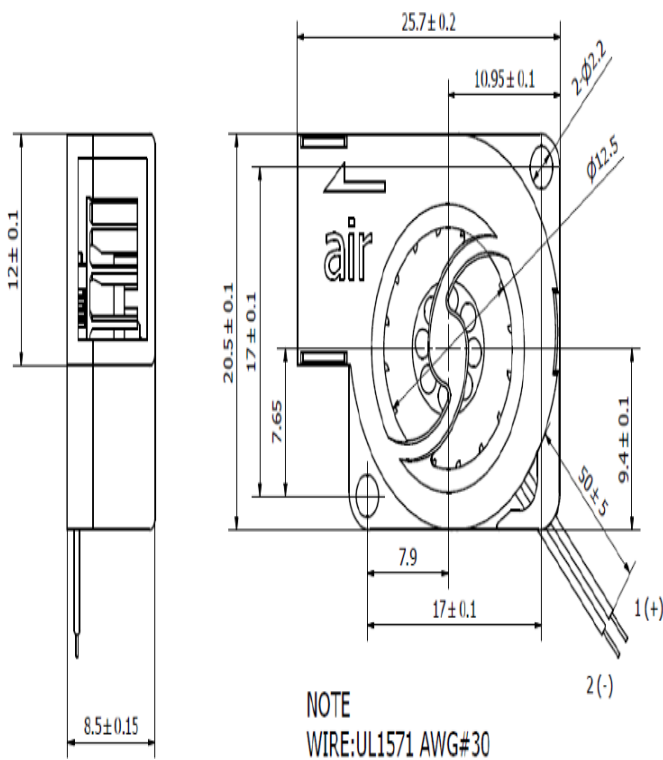


□ 20x25x08 mm

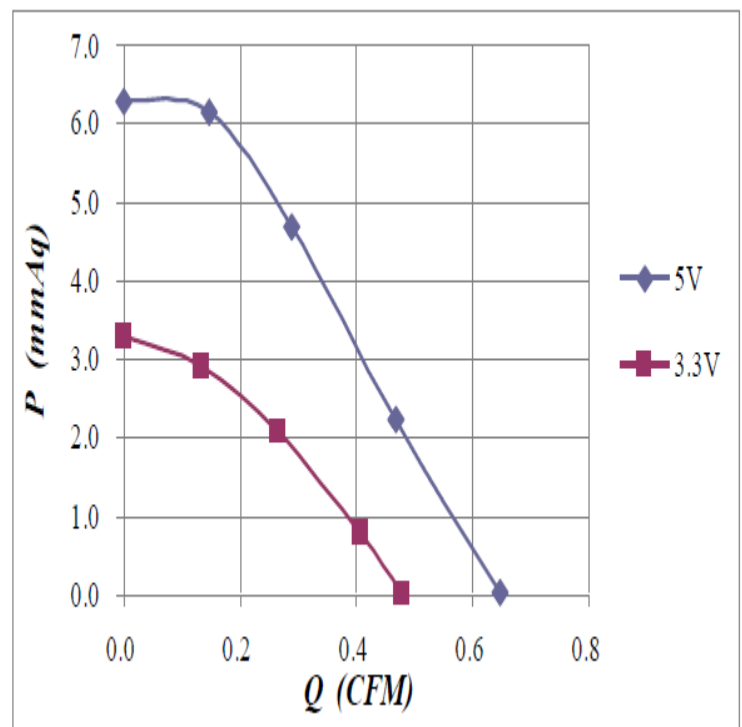


- Motor:** DC single phase brushless motor
- Material:** Plastic(94V-0)
- Bearing:** Sleeve bearing
- Operation Temperature:** -10°C ~ +60°C
- Storage Temperature:** -20°C ~ +70°C
- Weight:** 3 g / PC

Drawing:



Characteristic Curves



SPECIFICATION

Model	Voltage (V)	Operating Voltage Range(VDC)	Current (A)	Speed (RPM)	Air Flow (CFM)	Pressure (in-H2O)	Noise (dB)
CDB032508	3.3	2.8 – 3.6	0.098	8000	0.48	3.29	18.2
CDB052508	5	4.5 – 5.5	0.14	11000	0.65	6.27	20.8