

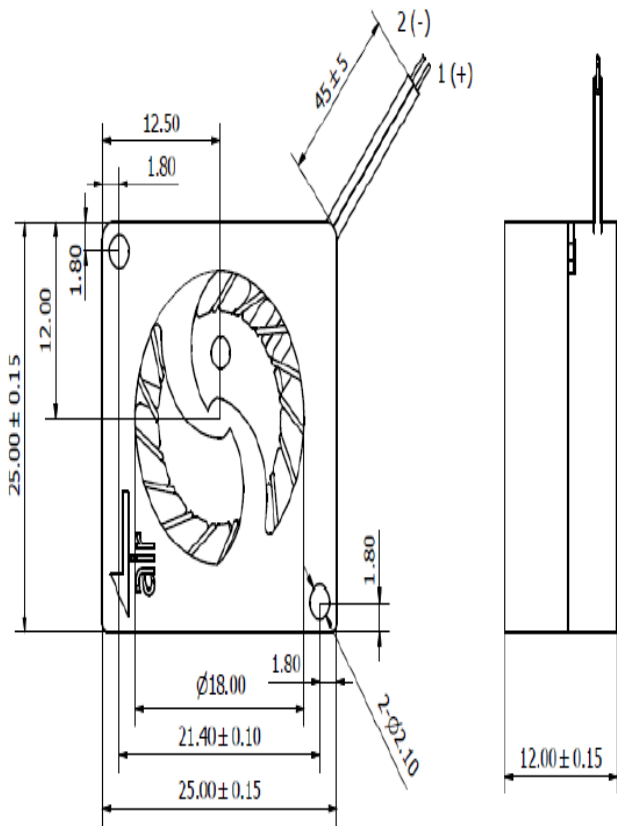


□ 25x25x12 mm

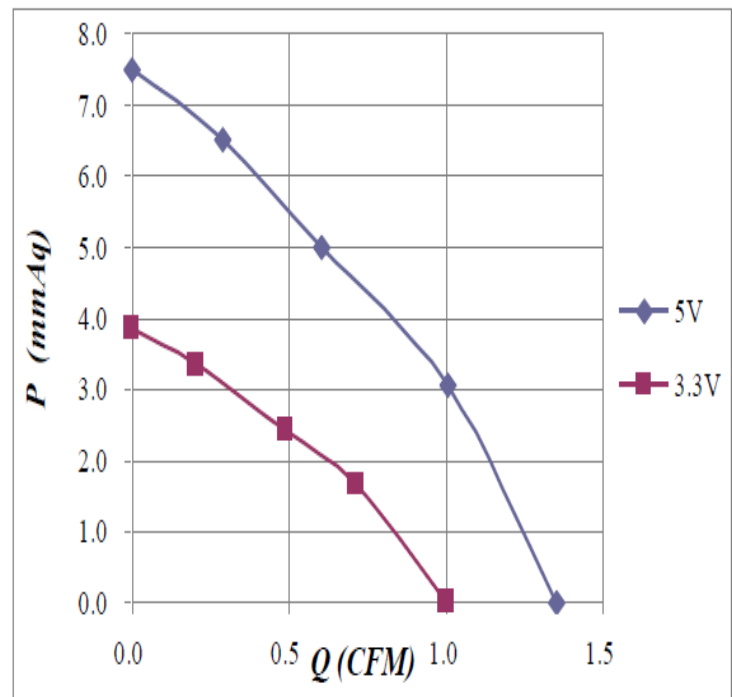


- Motor:** DC single phase brushless motor
- Material:** Plastic(94V-0)
- Bearing:** Sleeve bearing
- Operation Temperature:** -10°C ~ +60°C
- Storage Temperature:** -20°C ~ +70°C
- Weight:** 5.39 g / PC

Drawing:



Characteristic Curves



SPECIFICATION

Model	Voltage (V)	Operating Voltage Range(VDC)	Current (A)	Speed (RPM)	Air Flow (CFM)	Pressure (in-H ₂ O)	Noise (dB)
CDB032512	3.3	2.8 – 3.6	0.058	7000	1	3.85	18.6
CDB052512	5	4.5 – 5.5	0.087	9500	1.35	7.49	27

Micro DC Blower Fan