



□ 30x30x04 mm



Motor: DC single phase brushless motor

Material: Plastic (94V-0)

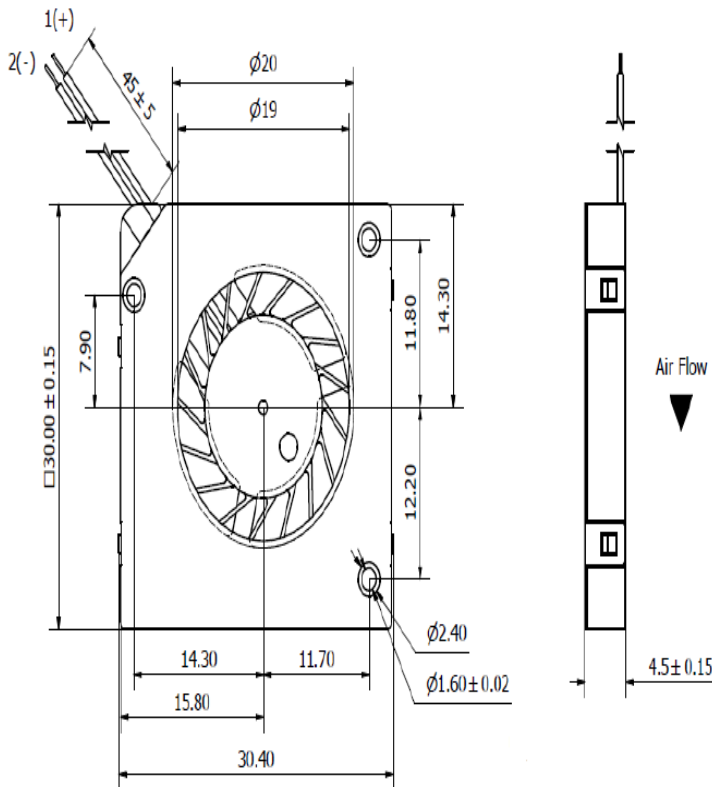
Bearing: Sleeve bearing

Operation Temperature: -10°C ~ +60°C

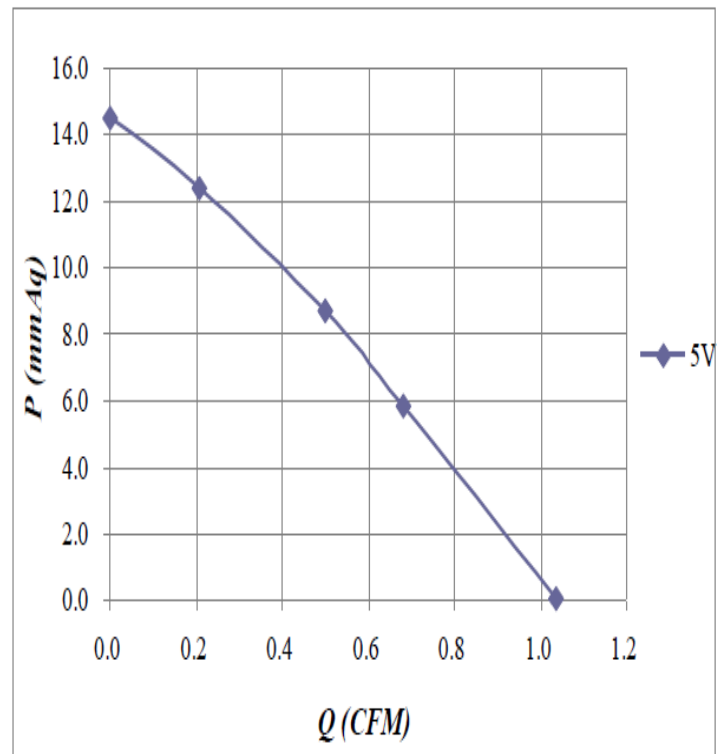
Storage Temperature: -20°C ~ +70°C

Weight: 4.79 g / PC

Drawing:



Characteristic Curves



SPECIFICATION

Model	Voltage (V)	Operating Voltage Range(VDC)	Current (A)	Speed (RPM)	Air Flow (CFM)	Pressure (in-H ₂ O)	Noise (dB)
CDB033004	3.3	2.8 – 3.6	0.040	6000	0.57	3.71	17.2
CDB053004	5	2.8 – 5.5	0.12	11000	1.04	14.45	32.7

Micro DC Blower Fan