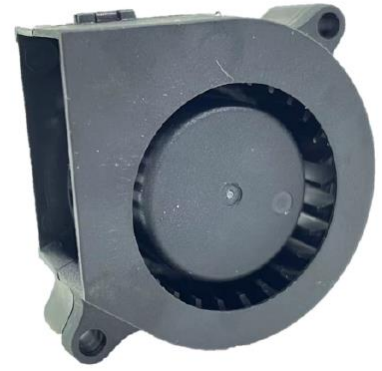




□ 40x40x20 mm



Motor: DC single phase brushless motor

Material/Frame: PBT (94V-0); Impeller: PBT(94V-0)

Operation Temperature:

Two ball bearing -10°C ~ +70°C

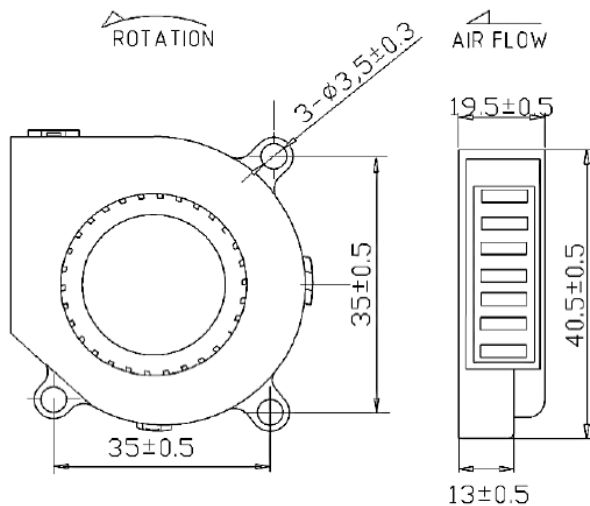
FMB/Sleeve bearing -10°C ~ +50°C

Storage Temperature: -40°C ~ +80°C

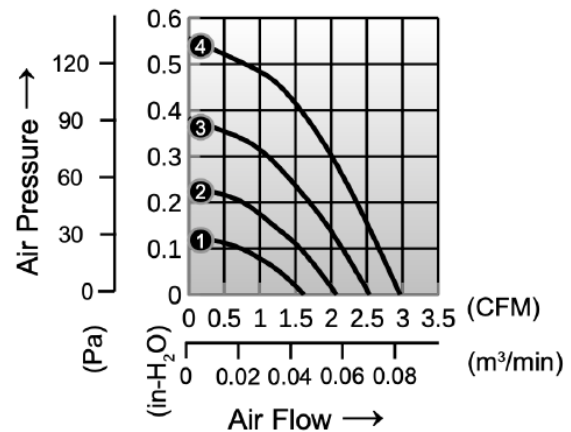
Non-condensing environment

Weight: 26g / PC

Drawing:



Characteristic Curves



SPECIFICATION

Model	Voltage (V)	Operating Voltage Range(VDC)	Current (A)	Speed (RPM)	Air Flow (CFM)	Pressure (in-H ₂ O)	Noise (dB)
CDB054020MB	5	4.5 – 5.5	0.20	4500	2.1	0.23	33
CDB054020HB	5	4.5 – 5.5	0.25	5500	2.5	0.38	37
CDB124020LB	12	7.0 – 13.2	0.08	3500	1.6	0.13	27
CDB124020MB	12	7.0 – 13.2	0.10	4500	2.1	0.23	33
CDB124020HB	12	7.0 – 13.2	0.15	5500	2.5	0.38	37
CDB124020XB	12	7.0 – 13.2	0.18	6500	3.0	0.56	45