



# □ 46x45x05 mm



**Motor:** DC single phase brushless motor

**Material:** Plastic (94V-0)

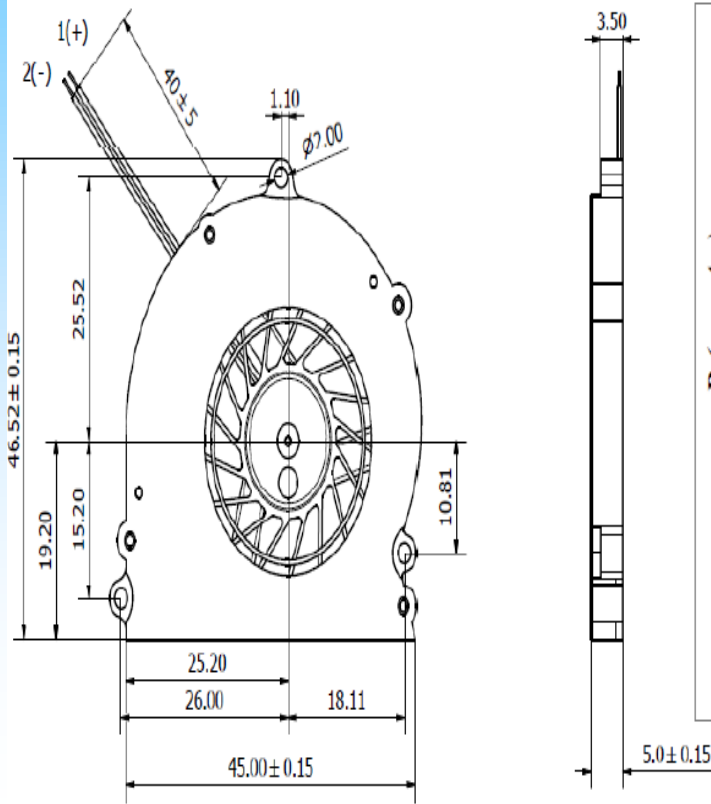
**Bearing:** Sleeve bearing

**Operation Temperature:** -10°C ~ +60°C

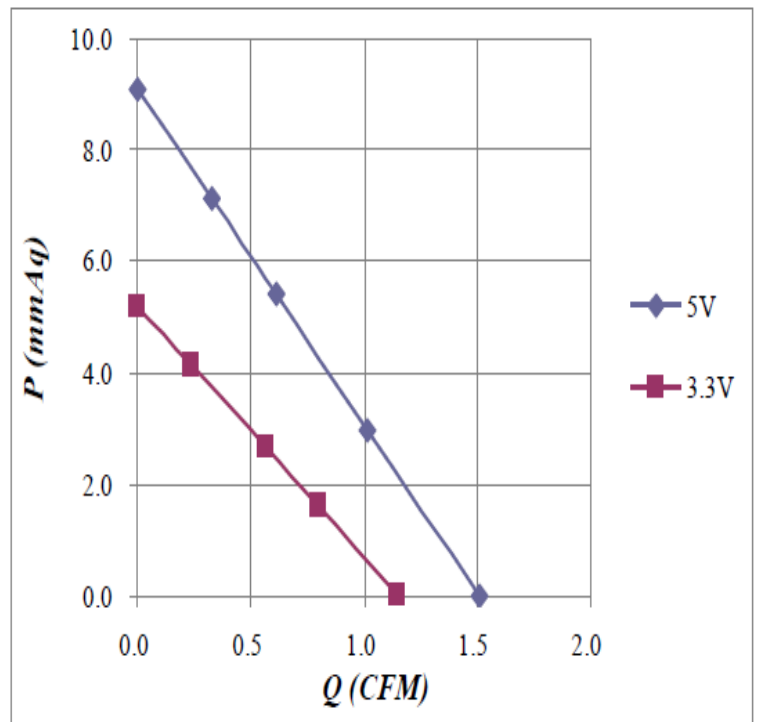
**Storage Temperature:** -20°C ~ +70°C

**Weight:** 7.2 g / PC

## Drawing:



## Characteristic Curves



## SPECIFICATION

Model	Voltage (V)	Operating Voltage Range(VDC)	Current (A)	Speed (RPM)	Air Flow (CFM)	Pressure (in-H <sub>2</sub> O)	Noise (dB)
CDB034505	3.3	2.8 – 5.5	0.115	4500	1.15	5.19	21.3
CDB054505	5	4.5 – 5.5	0.165	6000	1.51	9.08	28.1