



□60x60x18 mm



Impeller / Housing: Plastic Material UL 94V-0 P.B.T

Ambient Temperature Range: -10°C ~ +70°C

Operating Voltage Range: Rated Voltage ±10%

Bearing: Ball

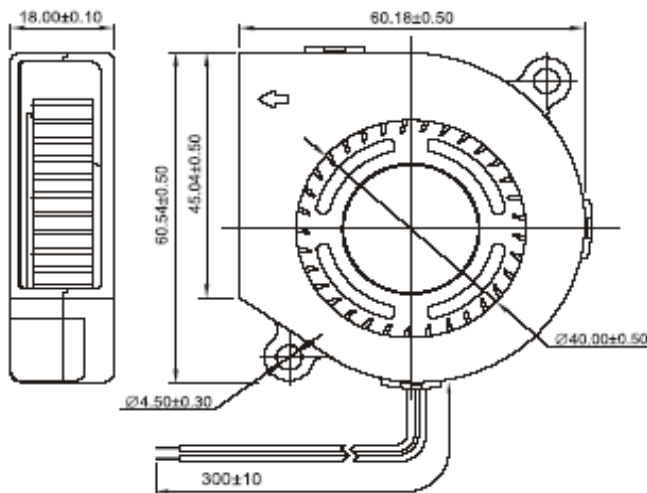
Motor Structure: DC brushless

Termination: Lead wire

Package: 41g / PC

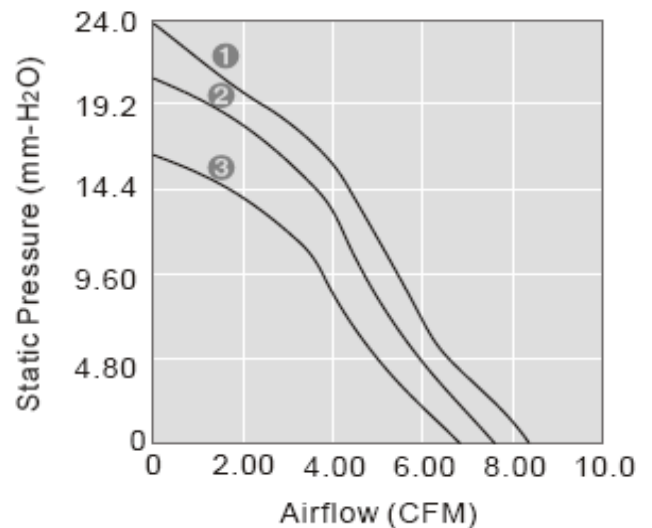
Dimension (units:mm)

OUTLINE DIMENSIONS



Characteristic Curves

PERFORMANCE P-Q CURVE



DC Blower Fan

SPECIFICATION

Model	Voltage (V)	Current (A)	Power (W)	Speed (RPM)	Air Flow (CFM)	Pressure (in-H ₂ O)	Noise (dB)
CDB126018LBL	12	0.14	1.68	4200	6.7	5.52	38
CDB126018MBL	12	0.18	2.16	4800	7.7	7.09	43.5
CDB126018HBL	12	0.28	3.36	5400	8.2	11.04	49