



□97x97x33 mm



Impeller / Housing: Plastic Material UL 94V-0 P.B.T

Ambient Temperature Range: -10°C ~ +70°C

Operating Voltage Range: Rated Voltage ±10%

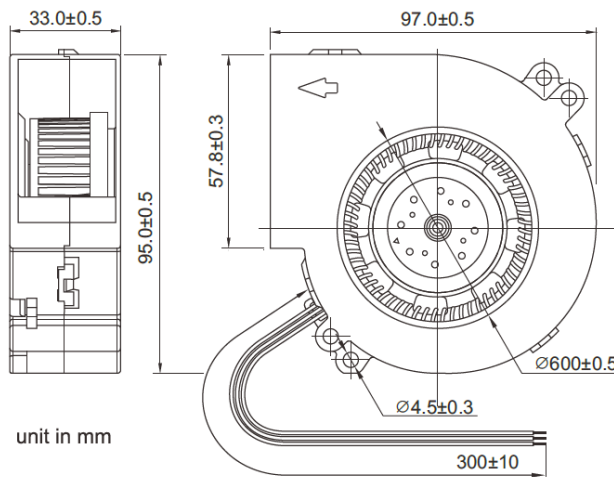
Bearing: Ball

Motor Structure: DC brushless

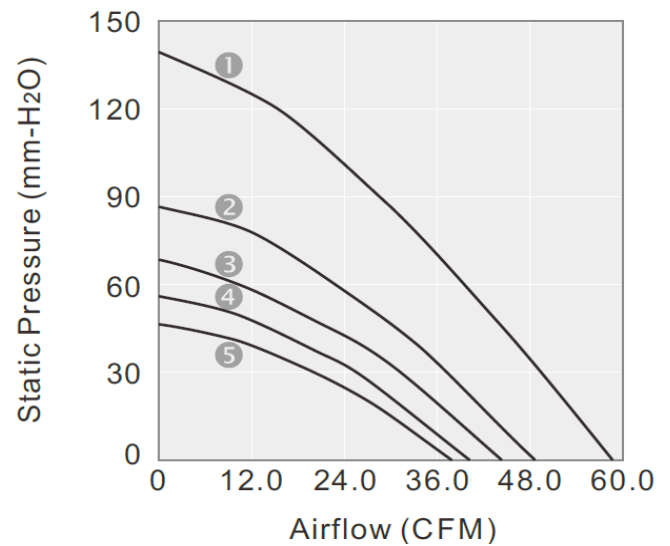
Termination: Lead wire 300 mm

Package: 200g / PC

Dimension (units:mm)



Characteristic Curves



SPECIFICATION

Model	Voltage (V)	Current (A)	Power (W)	Speed (RPM)	Air Flow (CFM)	Pressure (in-H2O)	Noise (dB)
CDB129733LBL	12	0.9	10.8	4500	37.8	1.37	54.8
CDB129733MBL	12	1.2	14.4	4850	44.1	1.74	56.7
CDB129733HBL	12	1.6	19.2	5250	55.8	2.2	58.4
CDB129733XBL	12	2.7	32.4	5750	86.6	3.41	60.6
CDB129733UBL	12	4.2	50.4	6850	139.6	5.5	64.8
CDB249733LBL	24	0.5	12.0	4500	37.8	1.37	54.8
CDB249733MBL	24	0.6	14.4	4850	40.7	1.74	56.7
CDB249733HBL	24	0.8	19.2	5250	44.8	2.20	58.4
CDB249733XBL	24	1.2	28.8	5750	48.2	3.41	60.6
CDB249733UBL	24	2.0	48.8	6850	58.4	5.50	64.8

DC Blower Fan