



ø133x80 mm
(ø5.23x3.14 in)



Material: Plastic impeller

Ambient Temperature Range: -20°C ~ +70°C

Operating Voltage Range: Rated Voltage ±10%

Bearing: Ball bearing (TÜV & UL approval)

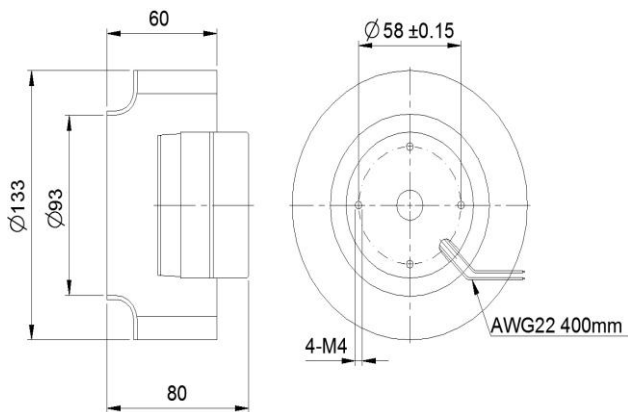
Motor Structure: AC Induction Capacitor Motor

Motor protection: Thermal Protected (Auto Restart)

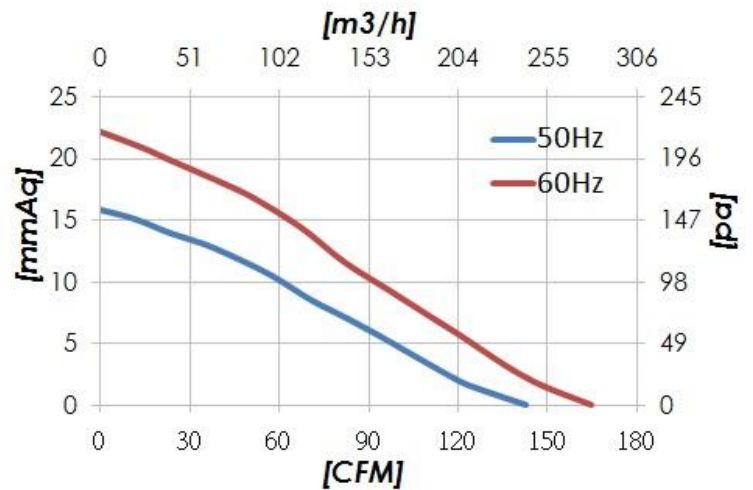
Termination: Lead wire

Weight: 800g / PC

Dimension (units:mm)



Characteristic Curves



SPECIFICATION

Model	Voltage (V)	Freq. (Hz)	Current (A)	Power (W)	Speed (RPM)	Air Flow (CFM)	Pressure (mm Aq)	Noise (dB)	TÜV UL
CYC11380SB	115	50/60	0.26/0.24	26/28	2800/3200	145/165	15/21	62/65	✓
CYC21380SB	230	50/60	0.1/0.12	23/27	2800/3200	145/165	15/21	62/65	✓