



Ø175x54 mm



Impeller: Plastic

Ambient Temperature Range: -10°C ~ +70°C

Operating Voltage Range: Rated Voltage ±10%

Bearing: Ball bearing

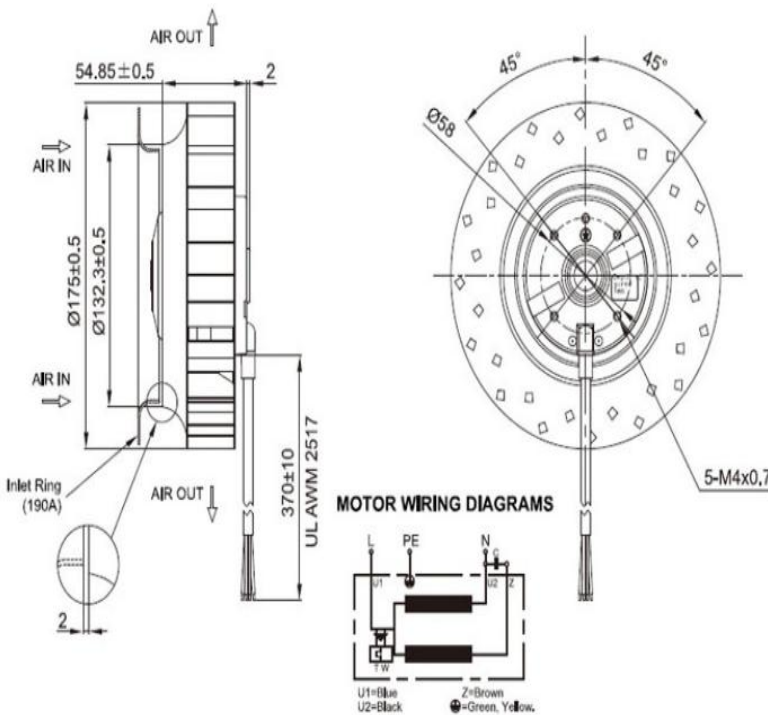
Motor Structure: Shaded Pole Motor or Capacitor induction

Motor protection: Thermal Protected

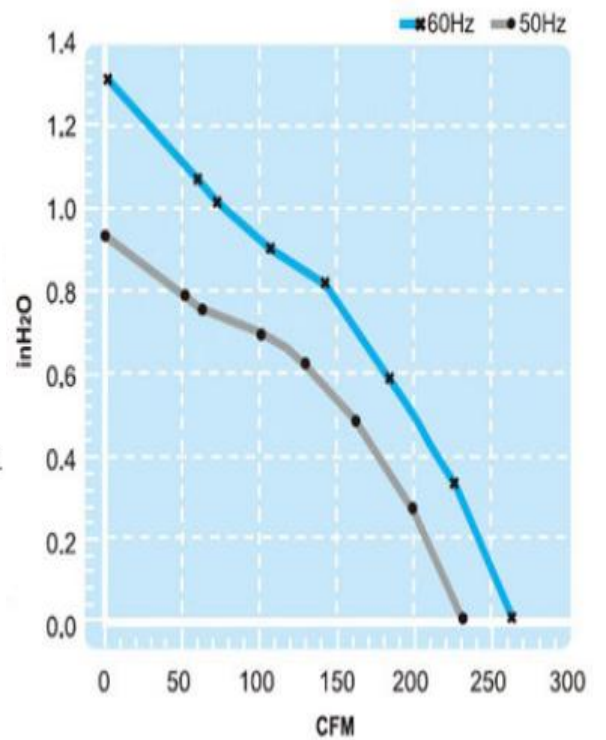
Termination: Lead wire

Package: 1300g / PC

Dimension (units:mm)



Characteristic Curves



AC Centrifugal Fan

SPECIFICATION

| Model | Voltage (V) | Freq. (Hz) | Current (A) | Power (W) | Speed (RPM) | Air Flow (CFM) | Pressure (mm Aq) | Noise (dB) |
|------------|-------------|------------|-------------|-----------|-------------|----------------|------------------|------------|
| CYC11754HB | 115 | 50/60 | 0.48/0.51 | 60/66 | 2550/2900 | 244/274 | 23/33 | 66/70 |
| CYC21754HB | 230 | 50/60 | 0.24/0.26 | 60/66 | 2550/2900 | 244/274 | 23/33 | 66/70 |