



ø182x85 mm



**Impeller:** Plastic

**Ambient Temperature Range:** -10°C ~ +70°C

**Operating Voltage Range:** Rated Voltage ±10%

**Bearing:** Ball bearing

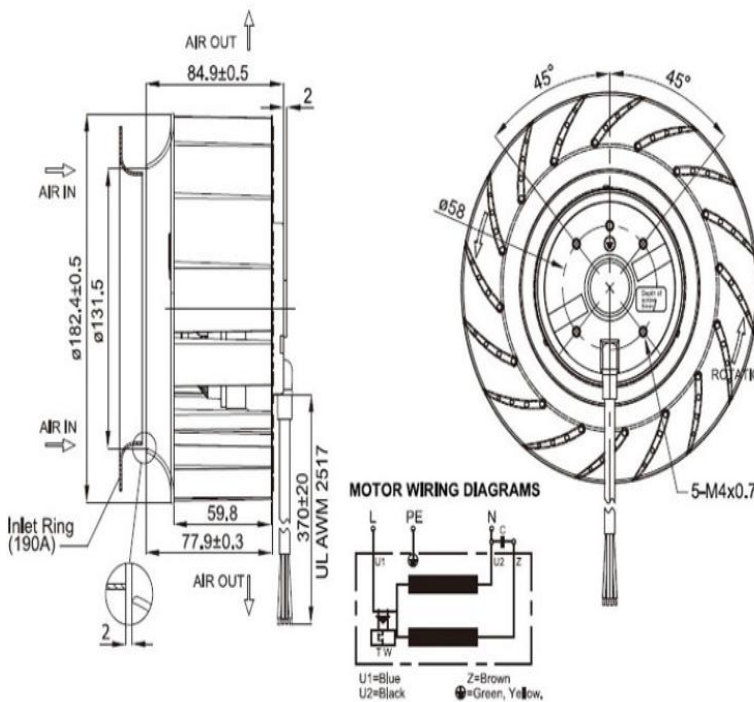
**Motor Structure:** Shaded Pole Motor or Capacitor induction

**Motor protection:** Thermal Protected

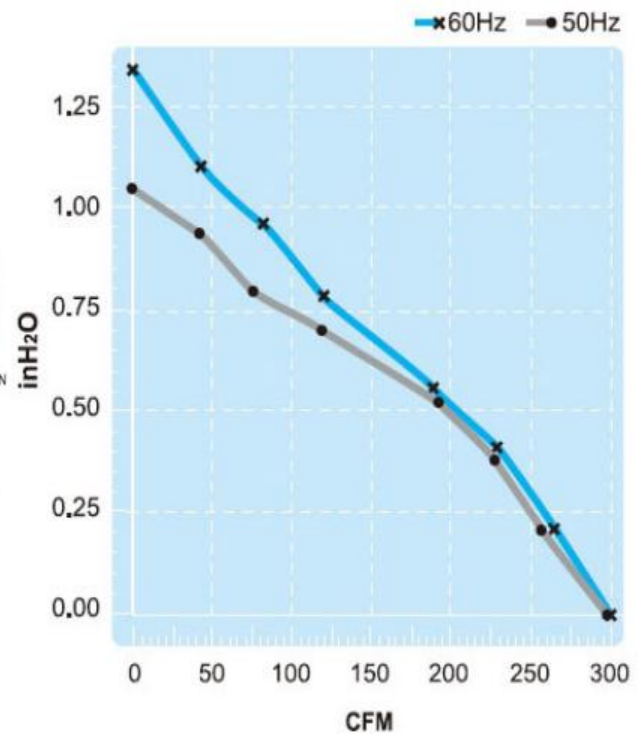
**Termination:** Lead wire

**Package:** 1400g / PC

### Dimension (units:mm)



### Characteristic Curves



AC Centrifugal Fan

## SPECIFICATION

Model	Voltage (V)	Freq. (Hz)	Current (A)	Power (W)	Speed (RPM)	Air Flow (CFM)	Pressure (mm Aq)	Noise (dB)
CYC11885HB	115	50/60	0.62/0.75	70/83	2300/2400	300/300	25/34	63/63
CYC21885HB	230	50/60	0.3/0.35	70/81	2300/2400	300/300	25/34	63/63