



**Ø190x67 mm**  
**(Ø7.48x2.63 in)**



**Material:** Plastic impeller

**Ambient Temperature Range:** -20°C ~ +70°C

**Operating Voltage Range:** Rated Voltage ±10%

**Bearing:** Ball bearing (TÜV & UL approval)

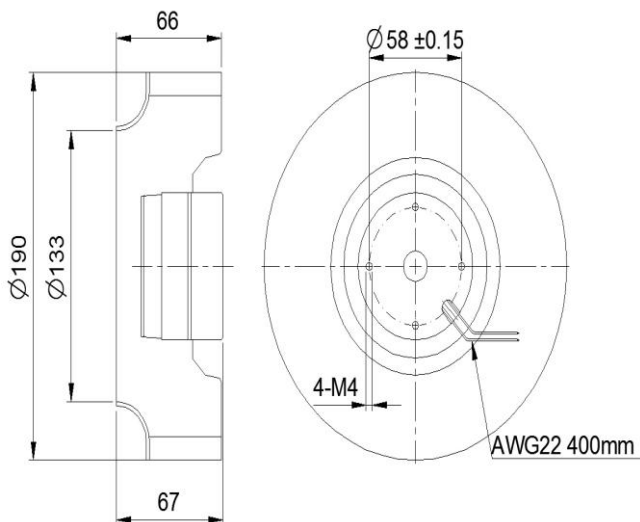
**Motor Structure:** AC Induction Capacitor Motor

**Motor protection:** Thermal Protected (Auto Restart)

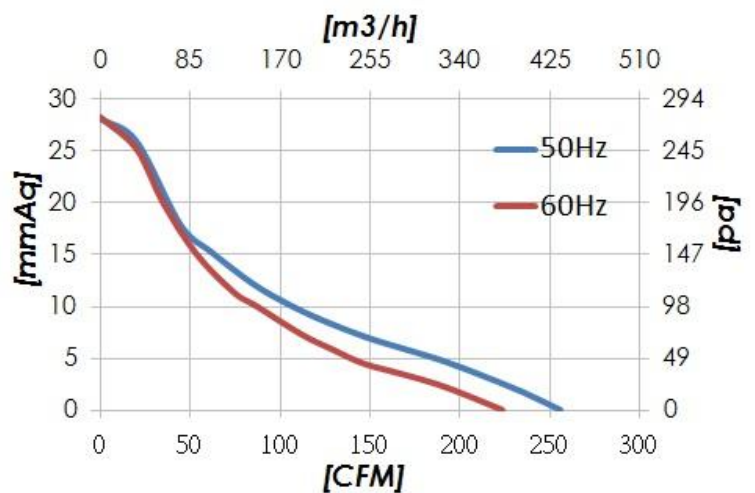
**Termination:** Lead wire

**Weight:** 890g / PC

### Dimension (units:mm)



### Characteristic Curves



## SPECIFICATION

Model	Voltage (V)	Freq. (Hz)	Current (A)	Power (W)	Speed (RPM)	Air Flow (CFM)	Pressure (mm Aq)	Noise (dB)	TÜV UL
CYC11967MB	115	50/60	0.39/0.42	45/48	2000/1600	256/224	28/28	61/59	✓
CYC21967MB	230	50/60	0.17/0.19	39/44	2000/1600	256/224	28/28	61/59	✓