



**ø220x76 mm**  
**(ø8.66x2.99 in)**



**Material:** Plastic impeller

**Ambient Temperature Range:** -20°C ~ +70°C

**Operating Voltage Range:** Rated Voltage ±10%

**Bearing:** Ball bearing (TÜV & UL approval)

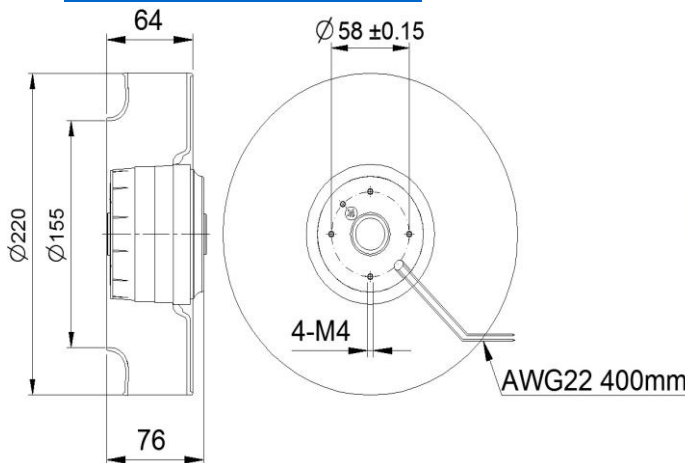
**Motor Structure:** AC Induction Capacitor Motor

**Motor protection:** Thermal Protected (Auto Restart)

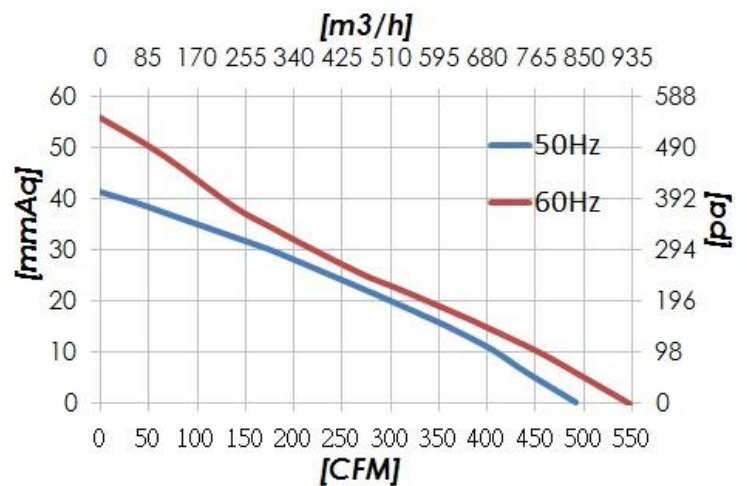
**Termination:** Lead wire

**Weight:** 1980g / PC

### Dimension (units:mm)



### Characteristic Curves



## SPECIFICATION

Model	Voltage (V)	Freq. (Hz)	Current (A)	Power (W)	Speed (RPM)	Air Flow (CFM)	Pressure (mm Aq)	Noise (dB)	TÜV UL
CYC12276HB	115	50/60	0.7/1	82/115	2650/2950	490/550	40/55	75/78	✓
CYC22276HB	230	50/60	0.35/0.5	82/115	2650/2950	490/550	40/55	75/78	✓