



ø225x101 mm
(ø8.85x3.97 in)



Material: Plastic impeller

Ambient Temperature Range: -20°C ~ +70°C

Operating Voltage Range: Rated Voltage ±10%

Bearing: Ball bearing (TÜV & UL approval)

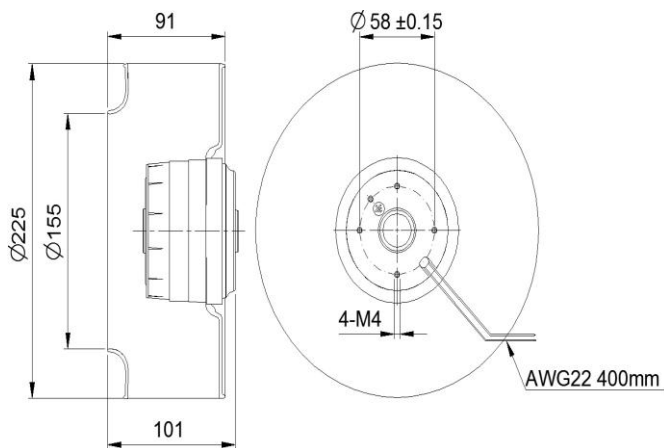
Motor Structure: AC Induction Capacitor Motor

Motor protection: Thermal Protected (Auto Restart)

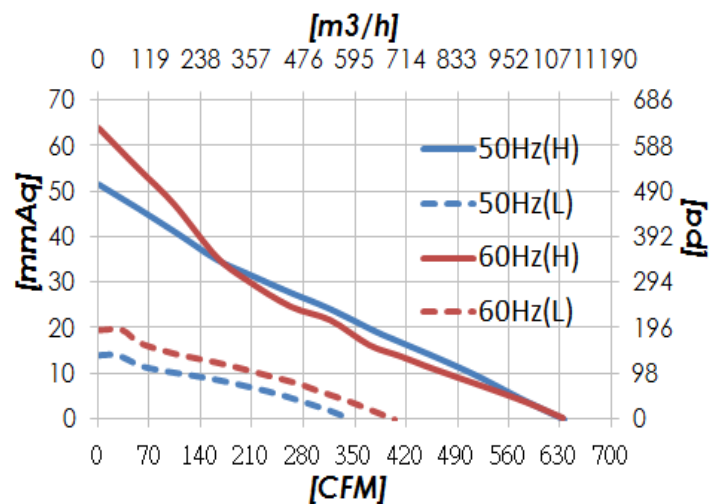
Termination: Lead wire

Weight: 1985g / PC

Dimension (units:mm)



Characteristic Curves



SPECIFICATION

Model	Voltage (V)	Freq. (Hz)	Current (A)	Power (W)	Speed (RPM)	Air Flow (CFM)	Pressure (mm Aq)	Noise (dB)	TÜV UL
CYC12210HB	115	50/60	0.93/1.3	109/145	2500/2500	636/635	52/64	70/72	✓
CYC22210HB	230	50/60	0.49/0.67	109/145	2500/2500	636/635	52/64	70/72	✓
CYC12210LB	115	50/60	0.39/0.39	40/45	1400/1600	347/405	14/20	59/61	✓
CYC22210LB	230	50/60	0.18/0.22	40/50	1400/1600	347/405	14/20	59/61	✓