



Ø225x69 mm



Impeller: Plastic

Ambient Temperature Range: -10°C ~ +70°C

Operating Voltage Range: Rated Voltage ±10%

Bearing: Ball bearing

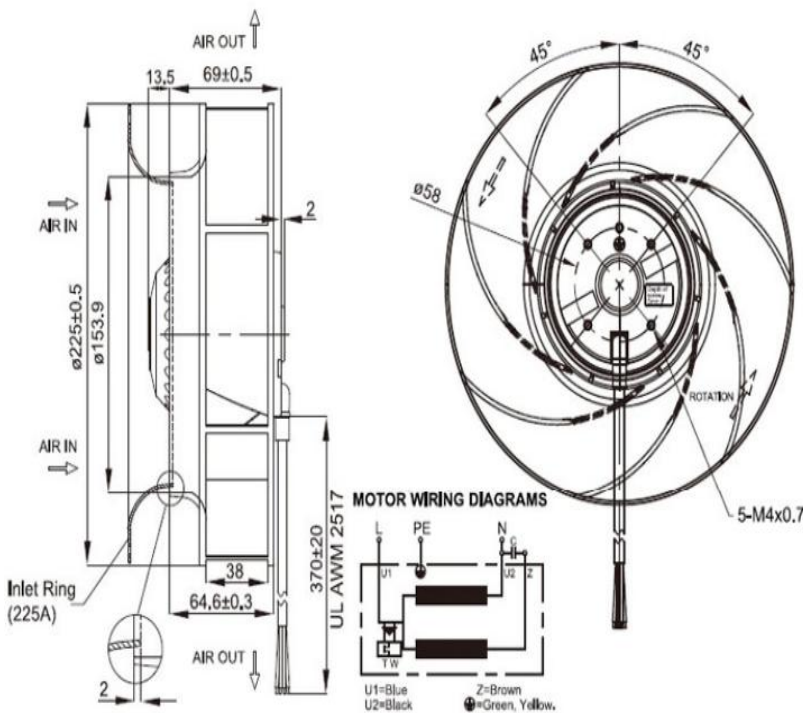
Motor Structure: Shaded Pole Motor or Capacitor induction

Motor protection: Thermal Protected

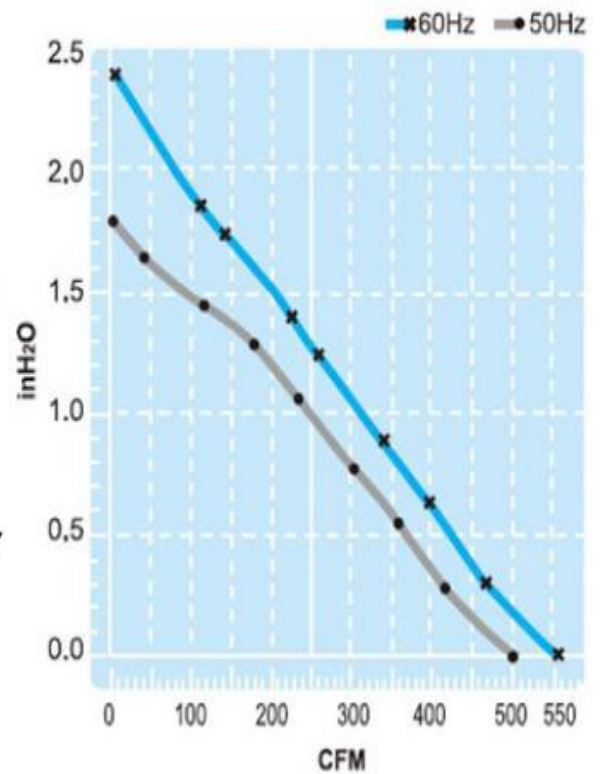
Termination: Lead wire

Package: 2300g / PC

Dimension (units:mm)



Characteristic Curves



AC Centrifugal Fan

SPECIFICATION

Model	Voltage (V)	Freq. (Hz)	Current (A)	Power (W)	Speed (RPM)	Air Flow (CFM)	Pressure (mm Aq)	Noise (dB)
CYC12269HB	115	50/60	1.11/1.12	105/125	2650/2950	500/550	46/58	70/72
CYC22269HB	230	50/60	0.54/0.56	105/125	2650/2950	500/550	46/58	70/72