



Ø250x94 mm
(Ø9.84x3.7 in)



Material: Plastic impeller

Ambient Temperature Range: -20°C ~ +70°C

Operating Voltage Range: Rated Voltage ±10%

Bearing: Ball bearing (TÜV & UL approval)

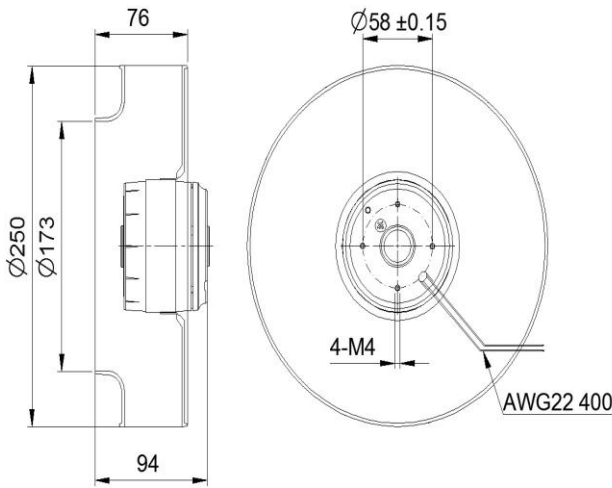
Motor Structure: AC Induction Capacitor Motor

Motor protection: Thermal Protected (Auto Restart)

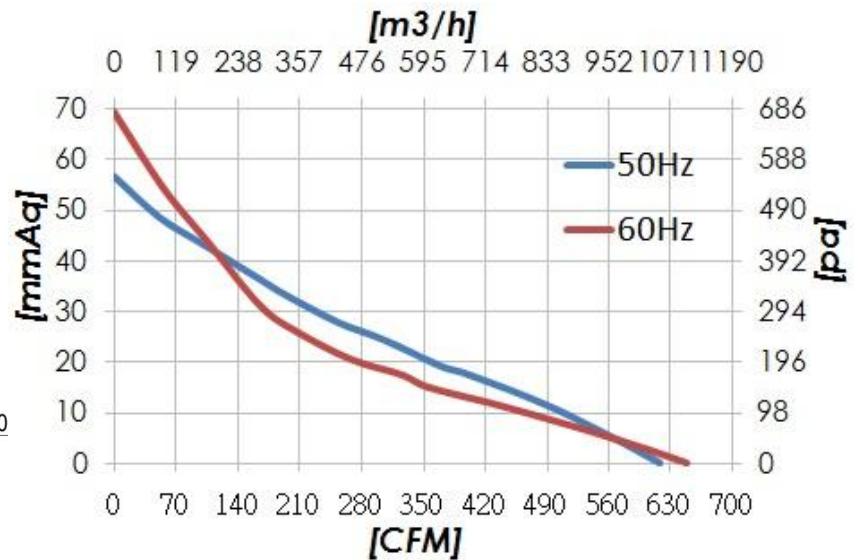
Termination: Lead wire

Weight: 2090g / PC

Dimension (units:mm)



Characteristic Curves



SPECIFICATION

Model	Voltage (V)	Freq. (Hz)	Current (A)	Power (W)	Speed (RPM)	Air Flow (CFM)	Pressure (mm Aq)	Noise (dB)	TÜV UL
CYC12594HB	115	50/60	0.9/1.23	103/142	2600/2700	619/648	57/69	76/78	✓
CYC22594HB	230	50/60	0.48/0.66	106/148	2600/2700	619/648	57/69	76/78	✓