



ø318x154 mm



Impeller: Plastic

Ambient Temperature Range: -10°C ~ +70°C

Operating Voltage Range: Rated Voltage ±10%

Bearing: Ball bearing

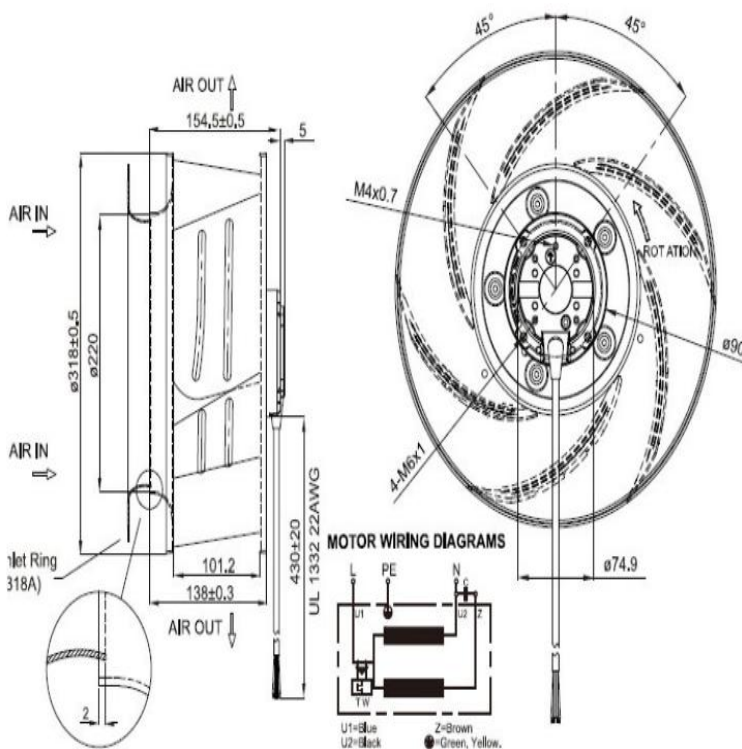
Motor Structure: Shaded Pole Motor or Capacitor induction

Motor protection: Thermal Protected

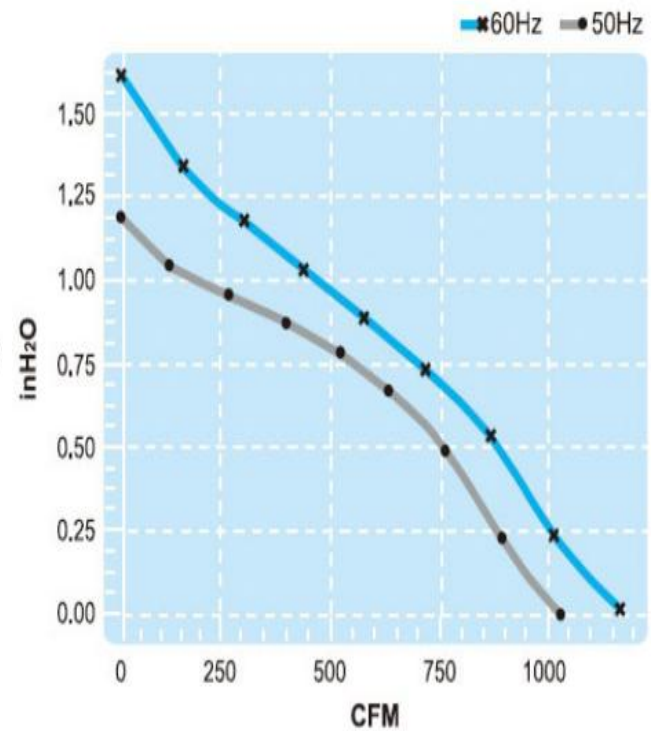
Termination: Lead wire

Package: 3900g / PC

Dimension (units:mm)



Characteristic Curves



AC Centrifugal Fan

SPECIFICATION

Model	Voltage (V)	Freq. (Hz)	Current (A)	Power (W)	Speed (RPM)	Air Flow (CFM)	Pressure (mm Aq)	Noise (dB)
CYC13115HB	115	50/60	1.1/1.4	115/155	1390/1580	1015/1165	30.5/40.6	63/66
CYC23115HB	230	50/60	1.43/1.31	115/155	1390/1580	1015/1165	30.5/40.6	63/66