



Ø360x167 mm



**Impeller:** Plastic

**Ambient Temperature Range:** -10°C ~ +70°C

**Operating Voltage Range:** Rated Voltage ±10%

**Bearing:** Ball bearing

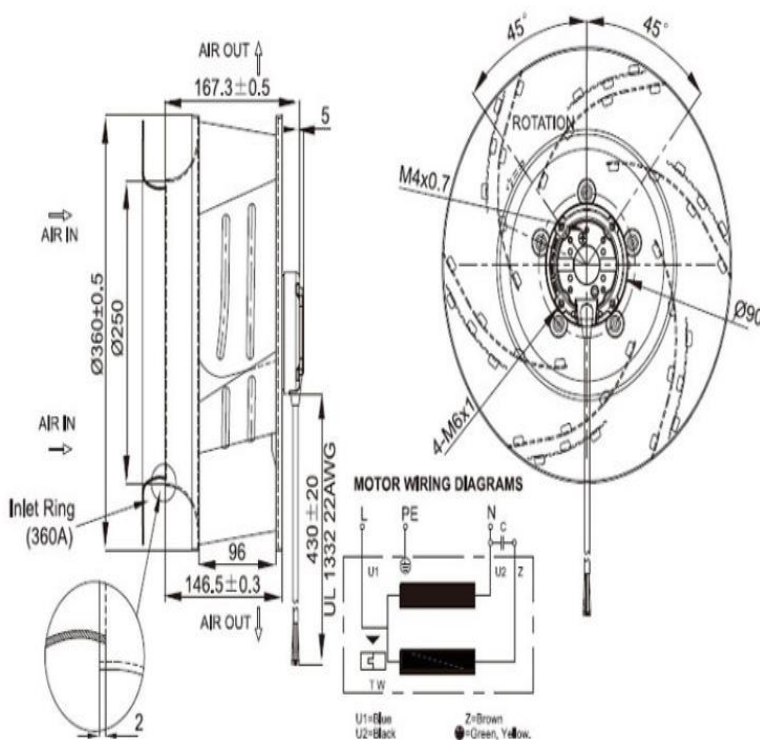
**Motor Structure:** Shaded Pole Motor or Capacitor induction

**Motor protection:** Thermal Protected

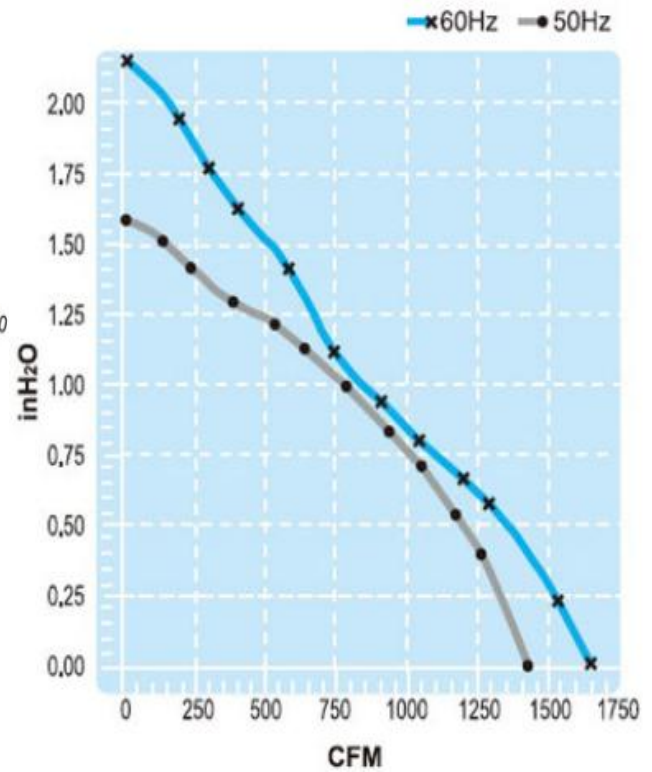
**Termination:** Lead wire

**Package:** 5100g / PC

Dimension (units:mm)



Characteristic Curves



AC Centrifugal Fan

**SPECIFICATION**

Model	Voltage (V)	Freq. (Hz)	Current (A)	Power (W)	Speed (RPM)	Air Flow (CFM)	Pressure (mm Aq)	Noise (dB)
CYC13617HB	115	50/60	1.7/2.3	190/270	1400/1600	1430/1645	40/55	66/70
CYC23617HB	230	50/60	0.9/1.2	190/265	1400/1600	1430/1645	40/55	66/70