



ø400x162 mm



Impeller: Plastic

Ambient Temperature Range: -10°C ~ +70°C

Operating Voltage Range: Rated Voltage ±10%

Bearing: Ball bearing

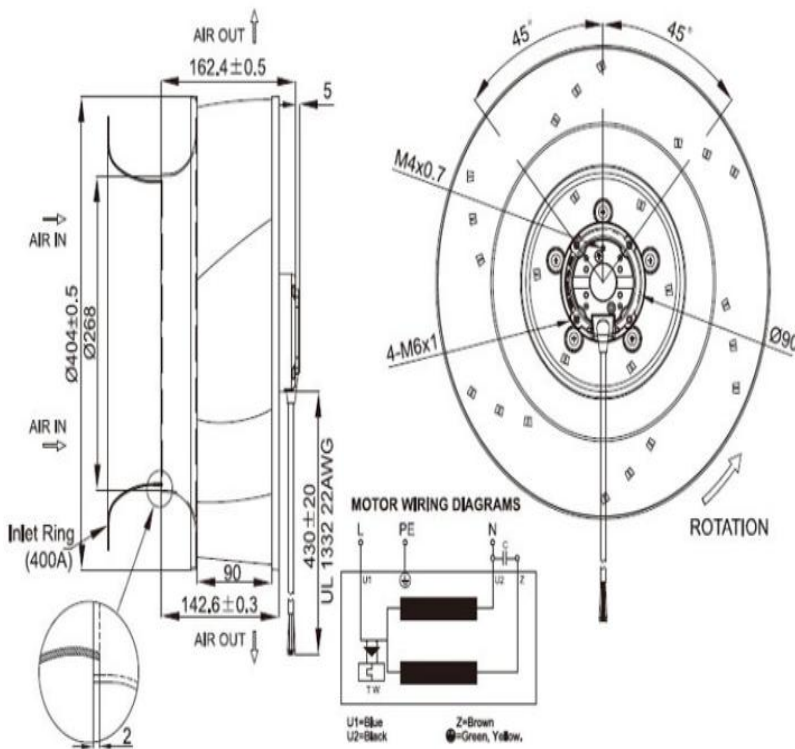
Motor Structure: Shaded Pole Motor or Capacitor induction

Motor protection: Thermal Protected

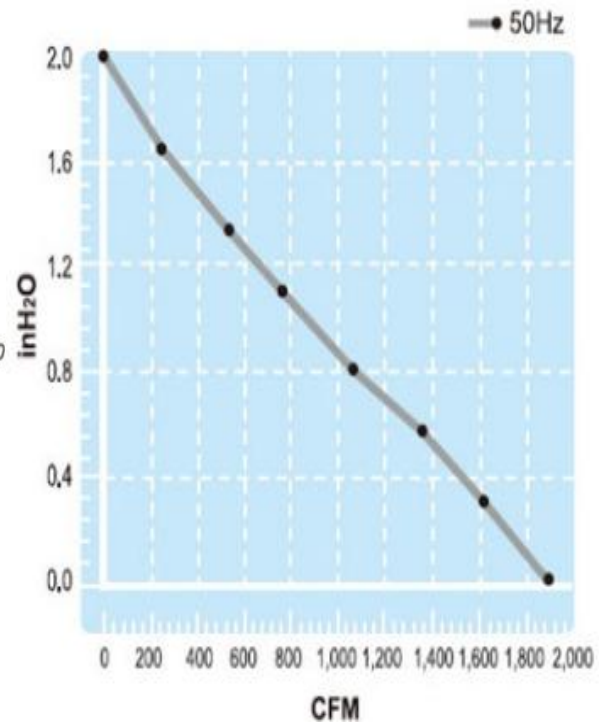
Termination: Lead wire

Package: 5450g / PC

Dimension (units:mm)



Characteristic Curves



AC Centrifugal Fan

SPECIFICATION

Model	Voltage (V)	Freq. (Hz)	Current (A)	Power (W)	Speed (RPM)	Air Flow (CFM)	Pressure (mm Aq)	Noise (dB)
CYC24016HB	230	50	1.26	287	1250	1900	49.7	73