

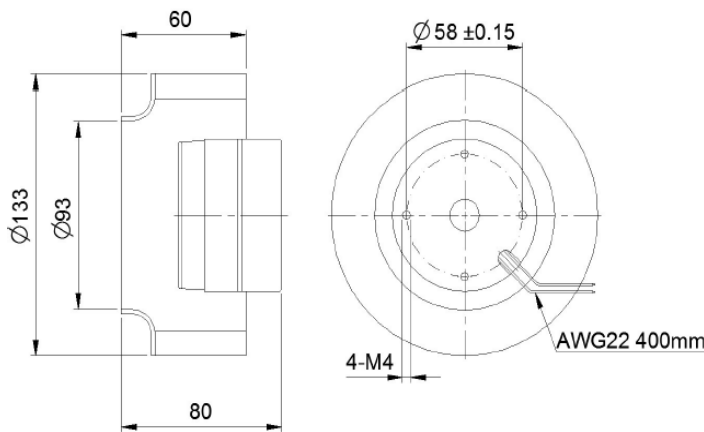


ø133X80 mm

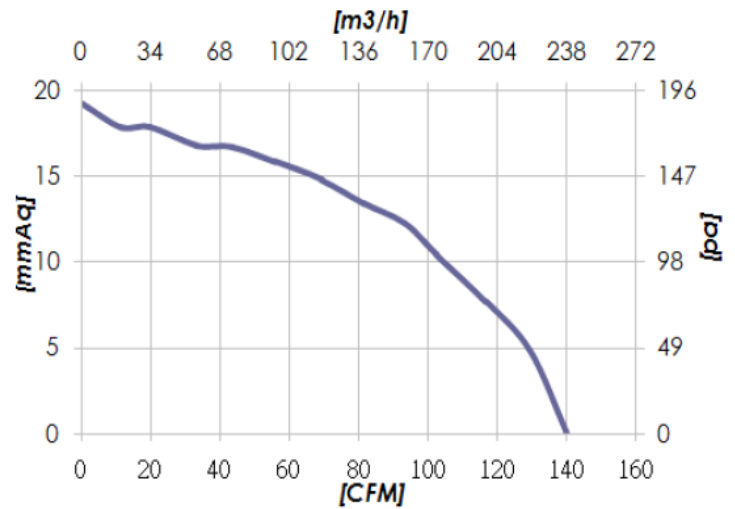


Motor: DC brushless Fan motor
Material/Impeller: Plastic (94V-0)
Bearing: Ball bearing
Operating Temp.: -10°C ~ +60°C
Weight: 700g / PC

Drawing



Characteristic Curves



SPECIFICATION

Model	Voltage (V)	Current (A)	Speed (RPM)	Air Flow (CFM)	Pressure (in-H ₂ O)	Noise (dB)
CDC713380HB	24	0.9	3200	140	0.74	62

DC Centrifugal Fan