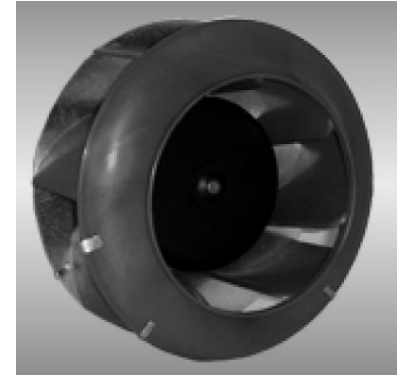


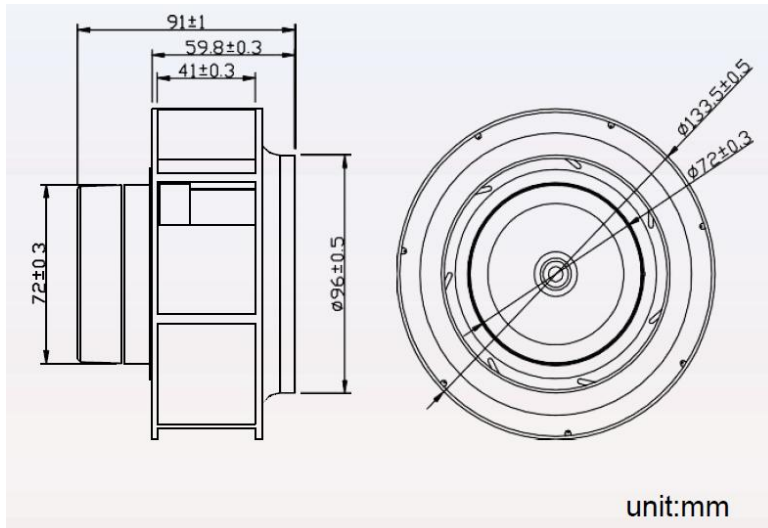


ø133X91 mm

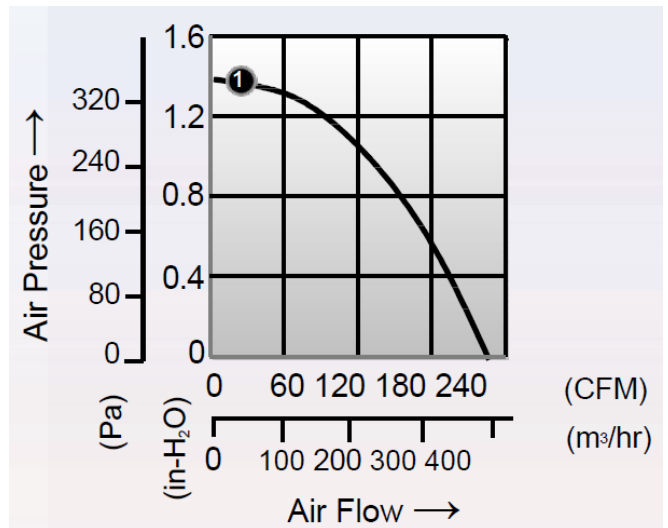


- Motor:** DC single phase brushless motor
- Material/Frame:** Die cast aluminum (94V-0);
- Impeller:** Plastic(94V-0)
- Bearing:** Two ball precision bearing
- Insulator class:** B
- Weight:** 0.7Kg / PC

Drawing



Characteristic Curves



SPECIFICATION

Model	Voltage (V)	Current (A)	Speed (RPM)	Air Flow (CFM)	Pressure (in-H2O)	Noise (dB)
CDC241391XB	24	1.6	4000	224	1.40	65
CDC481391XB	48	0.8	4000	224	1.40	65

DC Centrifugal Fan