

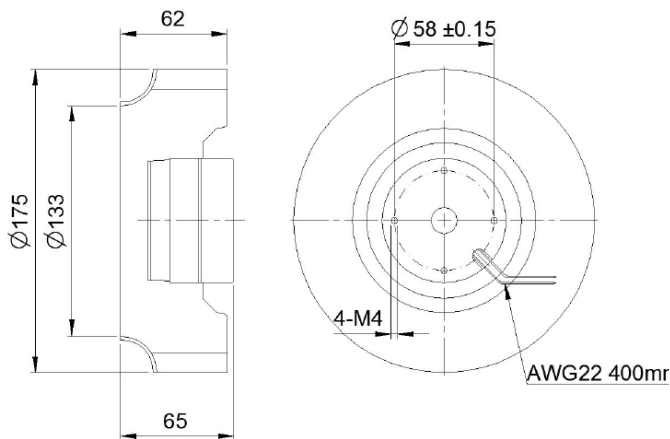


ø175X65 mm

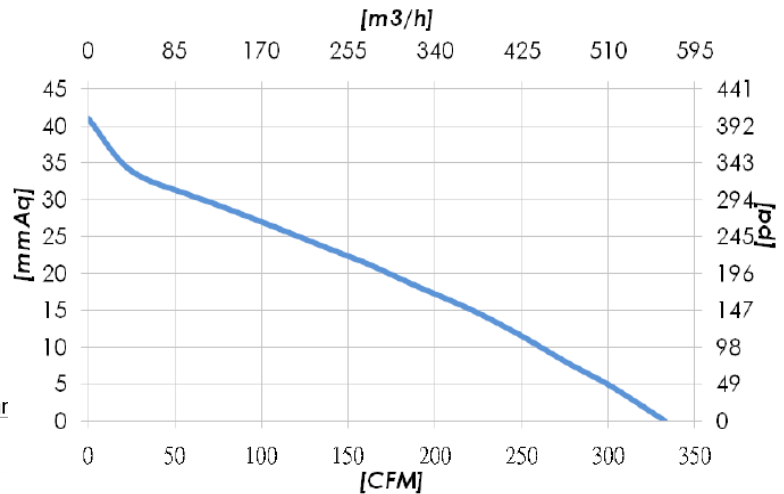


Motor: DC brushless Fan motor
Material/Impeller: Plastic (94V-0)
Bearing: Ball bearing
Operating Temp.: -10°C ~ +60°C
Weight: 880g / PC

Drawing



Characteristic Curves



SPECIFICATION

Model	Voltage (V)	Current (A)	Speed (RPM)	Air Flow (CFM)	Pressure (in-H2O)	Noise (dB)
CDC717565HB	24	2.0	2800	332	1.61	76
CDC817565HB	48	1.27	3000	332	1.61	76

DC Centrifugal Fan