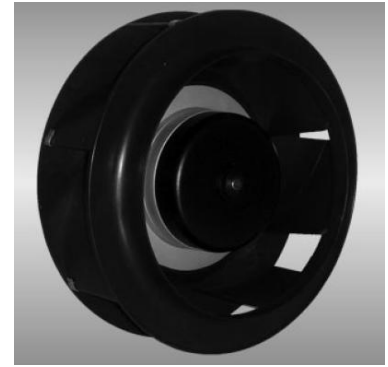


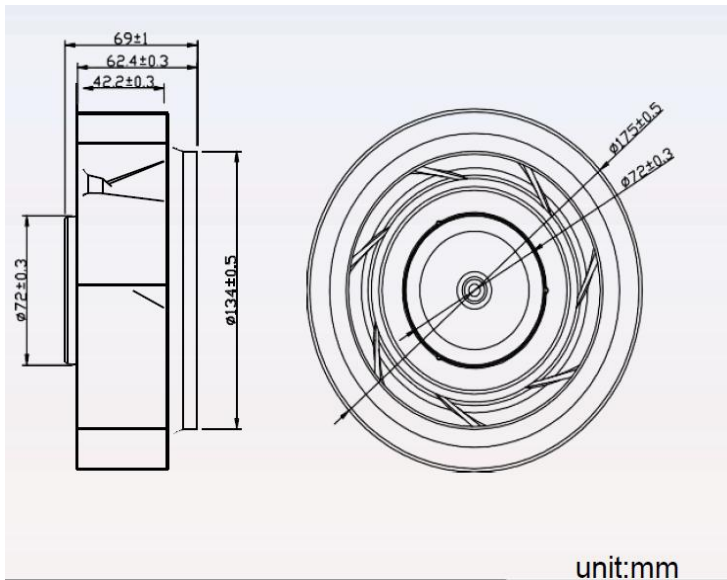


**Ø175X68.5 mm**

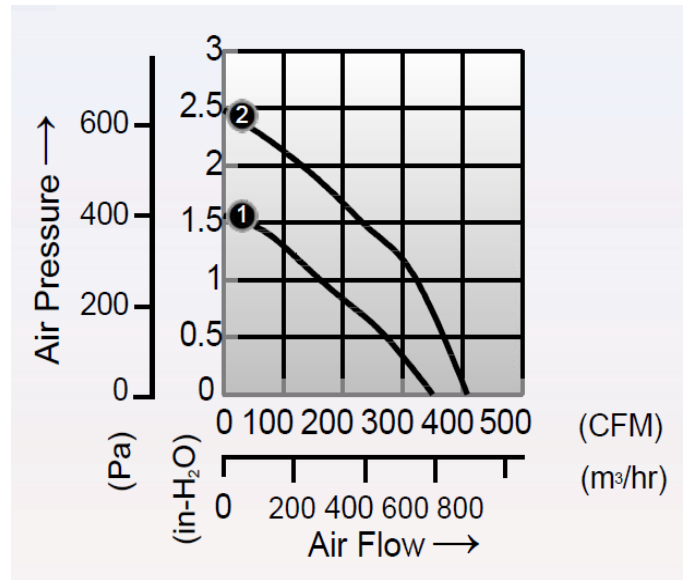


- Motor:** DC single phase brushless motor
- Material / Frame:** die cast aluminum (94V-0)
- Impeller:** Plastic(94V-0)
- Bearing:** Two ball precision bearing
- Insulator class:** B
- Weight:** 0.18Kg / PC

Drawing



Characteristic Curves



**SPECIFICATION**

Model	Voltage (V)	Current (A)	Speed (RPM)	Air Flow (CFM)	Pressure (in-H <sub>2</sub> O)	Noise (dB)
CDC241768HB	24	1.5	3300	350	1.56	67
CDC481768HB	48	1.2	3300	350	1.56	67
CDC481768XB	48	1.2	4200	408	2.48	72