

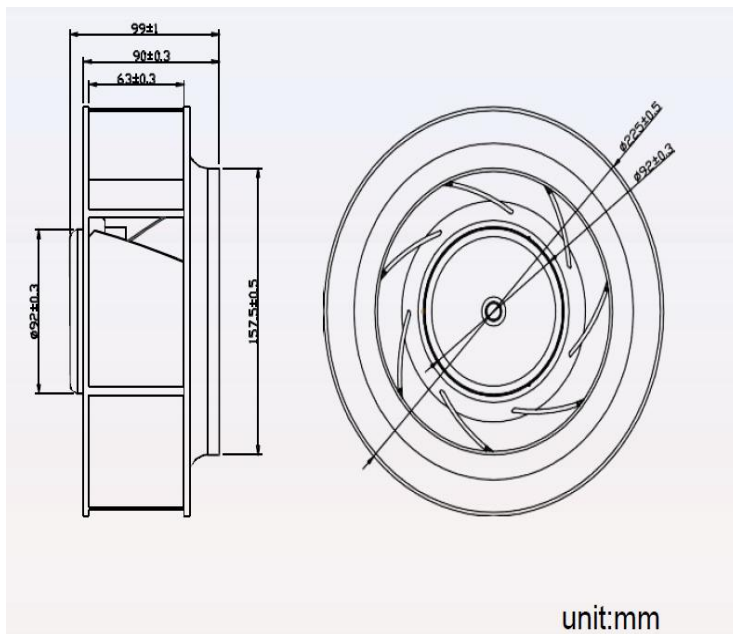


Ø225X99 mm

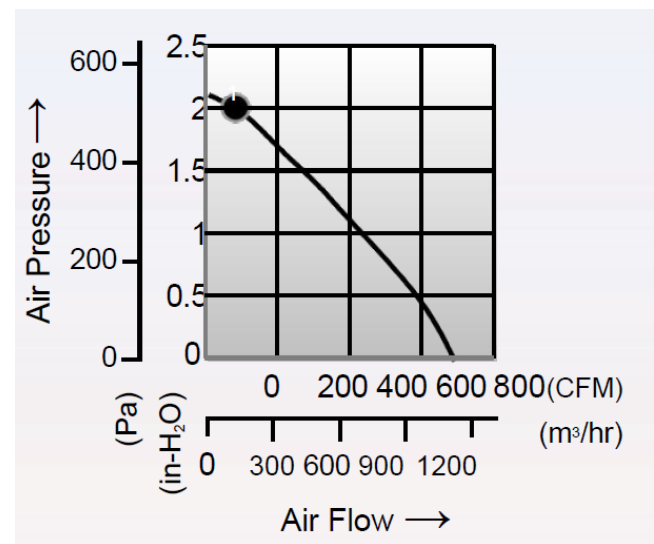


- Motor:** DC single phase brushless motor
- Material/Frame:** Die cast aluminum (94V-0);
- Impeller:** Plastic(94V-0)
- Bearing:** Two ball precision bearing
- Insulator class:** B
- Weight:** 1.5Kg / PC

Drawing



Characteristic Curves



SPECIFICATION

Model	Voltage (V)	Current (A)	Speed (RPM)	Air Flow (CFM)	Pressure (in-H ₂ O)	Noise (dB)
CDC242299MB	24	4.5	2700	683	2.13	76
CDC482299HB	48	2.3	2700	683	2.13	76