

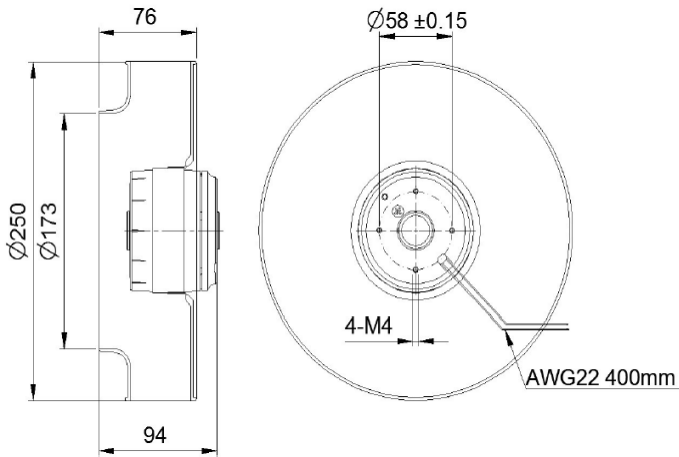


Ø250X94 mm

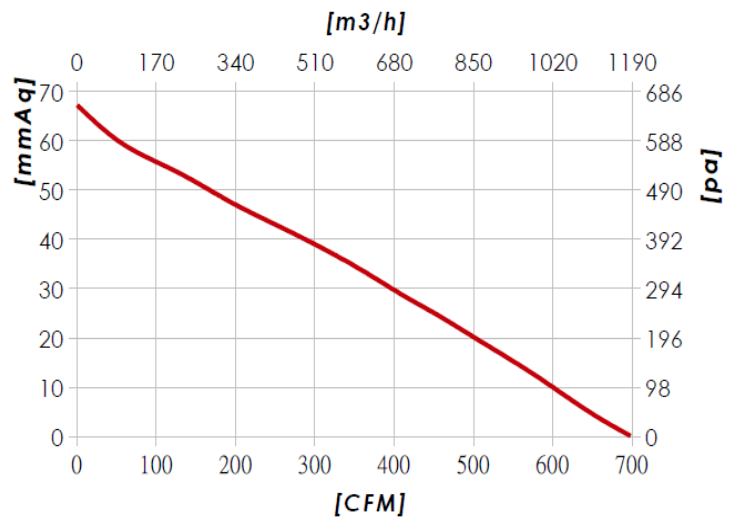


Motor: DC brushless Fan motor
Material/Impeller: Plastic (94V-0)
Bearing: Ball bearing
Operating Temp.: -10°C ~ +60°C
Weight: 1675g / PC

Drawing



Characteristic Curves



SPECIFICATION

Model	Voltage (V)	Current (A)	Speed (RPM)	Air Flow (CFM)	Pressure (in-H2O)	Noise (dB)
CDC725094HB	24	5.0	2800	698	2.68	72

DC Centrifugal Fan