



□225x130 mm



Frame: Aluminum

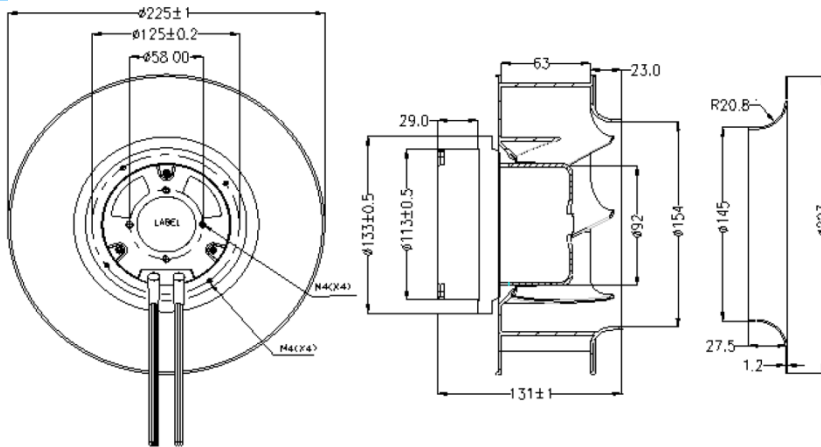
Impeller: plastic (UL 94V-0)

Ambient Temperature Range: -10°C ~ +70°C

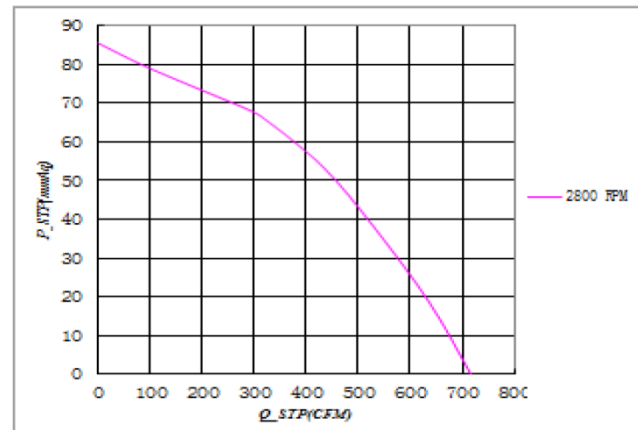
Bearing: Ball

Weight: 1500 g

Dimension (units:mm)



Characteristic Curves



SPECIFICATION

Model	Voltage (V)	Operating Range(V)	Freq. (Hz)	Power (W)	Speed (RPM)	Air Flow (CFM)	Air Flow (m3/min)	Pressure (in-H2O)	Noise (dB)
CYEC12213HB	110	80-135	50/60	108	2800	716	20.3	3.37	76
CYEC22213HB	220	180-265							

- If you want another RPM or Voltage or Functions which not in the list. Please contact with us. We can customize for you.
- Specifications are subject to change without notice.