



□315x180 mm



Frame: Aluminum

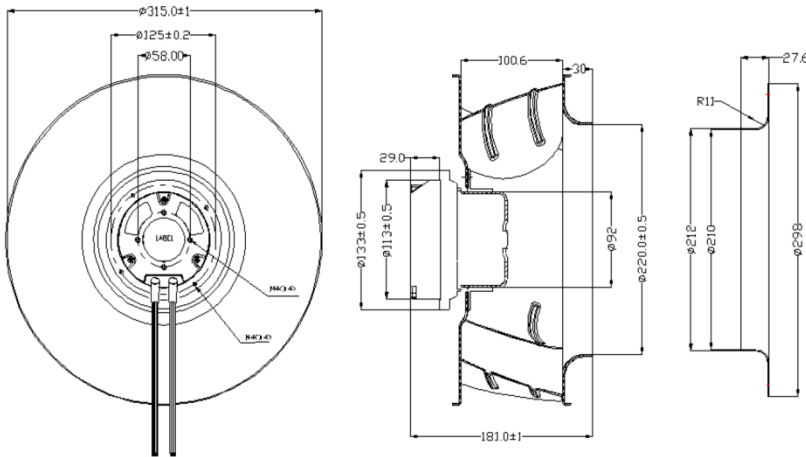
Impeller: SPCC

Ambient Temperature Range: -10°C ~ +70°C

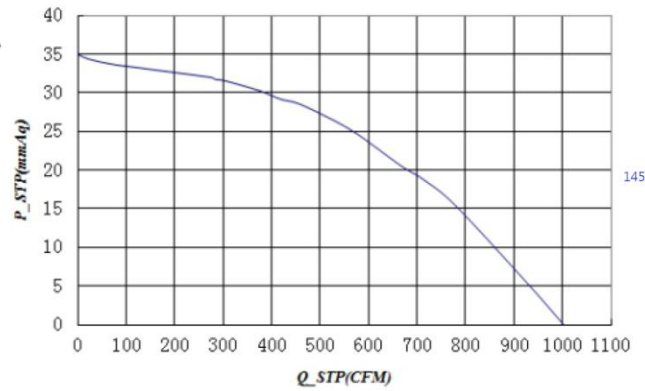
Bearing: Ball

Weight: 2000 g

Dimension (units:mm)



Characteristic Curves



SPECIFICATION

Model	Voltage (V)	Operating Range(V)	Freq. (Hz)	Power (W)	Speed (RPM)	Air Flow (CFM)	Air Flow (m3/min)	Pressure (in-H2O)	Noise (dB)
CYEC13118HB	110	80-135	50/60	130	1450	1002	28.3	1.38	64
CYEC23118HB	220	180-265							

- If you want another RPM or Voltage or Functions which not in the list. Please contact with us. We can customize for you.
- Specifications are subject to change without notice.