



6017 Series



Frame: Steel

Impeller: Aluminum UL94V-0

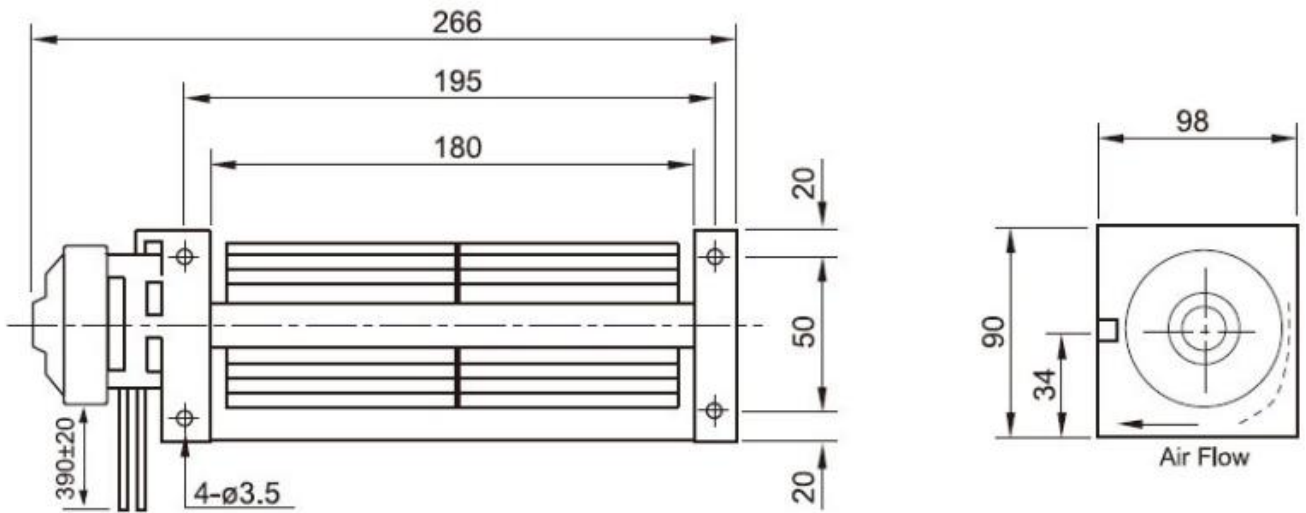
Ambient Temperature Range: -10°C ~ +70°C

Bearing: Ball bearing

Motor Structure: Shaded pole or Capacitor induction

Package: 1.6kg / PC

Dimension (units:mm)



SPECIFICATION

Model	Voltage (V)	Frequency (Hz)	Power (W)	Current (A)	Speed (RPM)	Air Flow (CFM)	Pressure (mm Aq)	Noise (dB)
CYF16017HB	120	50/60	27/25	0.45/0.42	2400/2500	90/95	3.5/3.7	51/52
CYF16017MB	120	50/60	27/25	0.30/0.28	2350/2000	88/72	3.5/2.8	33/38
CYF26017HB	230	50/60	27/25	0.22/0.2	2300/2400	85/90	3.3/3.5	38/38