



# 6036 Series



**Frame:** Steel

**Impeller:** Aluminum UL94V-0

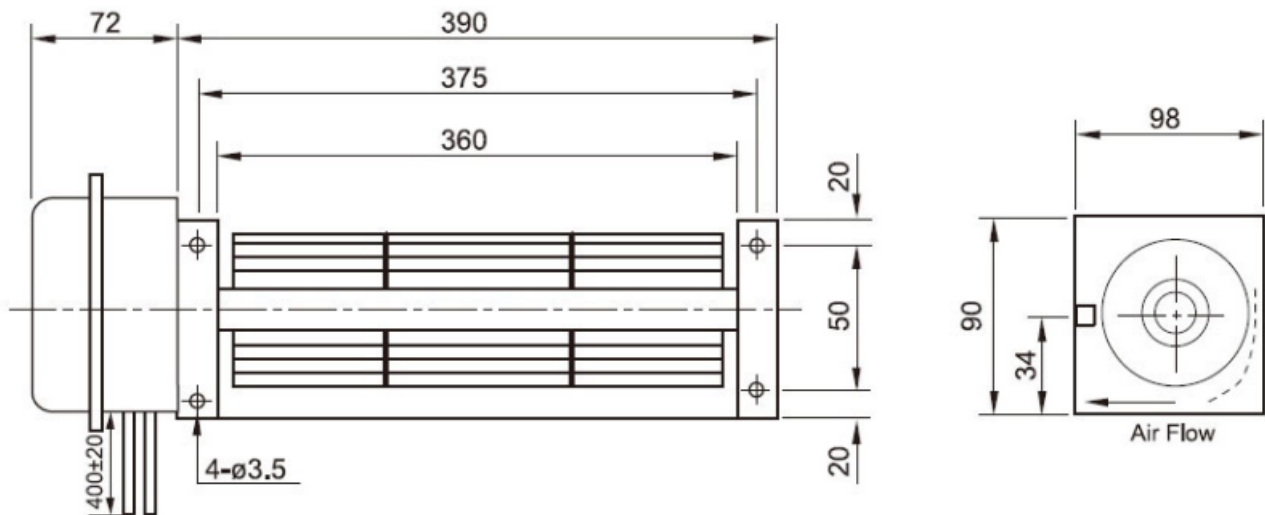
**Ambient Temperature Range:** -10°C ~ +70°C

**Bearing:** Ball bearing

**Motor Structure:** Shaded pole or Capacitor induction

**Package:** 2.1 kg / PC

## Dimension (units:mm)



## SPECIFICATION

Model	Voltage (V)	Frequency (Hz)	Power (W)	Current (A)	Speed (RPM)	Air Flow (CFM)	Pressure (mm Aq)	Noise (dB)
CYF16036HB	120	50/60 Hz	35/37	0.33/0.33	2500/2800	195/212	5/7.5	50/53
CYF26036HB	120	50/60 Hz	35/37	0.17/0.17	2500/2800	195/212	5/7.5	50/53