



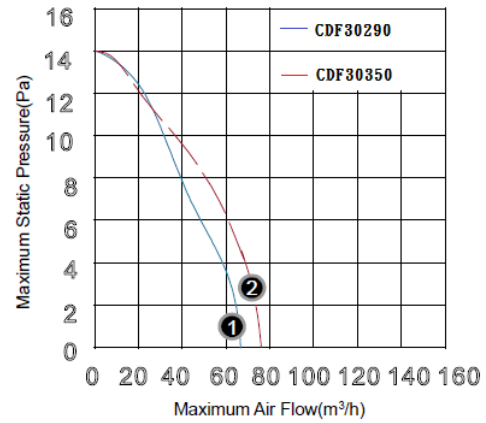
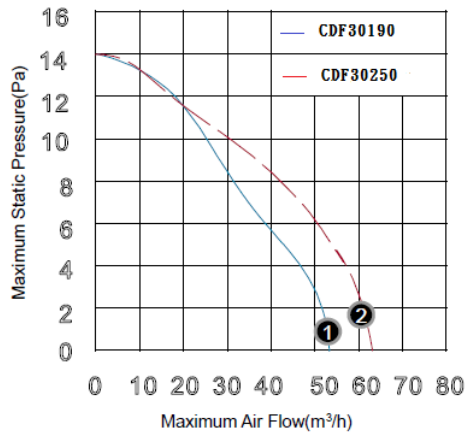
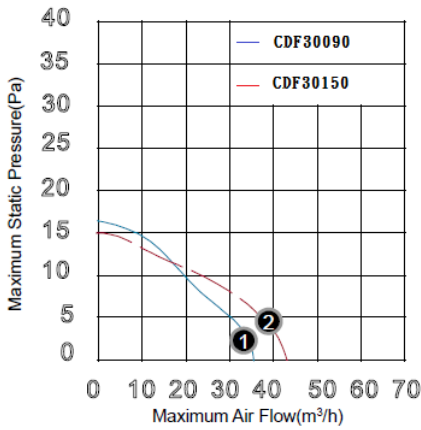
# 30 C Series



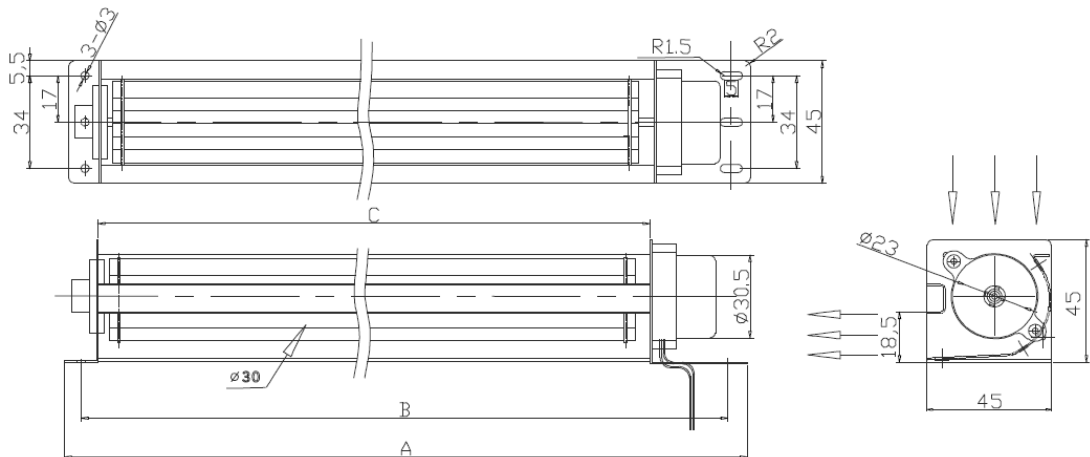
**Motor :** DC Single Phase Brushless Motor

**Material:** Frame: Steel / Impeller: Aluminum alloy

## P-Q Curves



## Drawing:



## SPECIFICATION

Model	Size (mm)			Voltage (V)	Current (A)	Speed (RPM)	Air Flow (CFM)	Pressure (in-H2O)	Noise (dB)
	A	B	C						
CDF1230090BM-C	145	132	98	12	0.10	3000	20.6	0.068	29
CDF2430090BM-C	145	132	98	24	0.05	3000	20.6	0.068	29
CDF1230150BM-C	207	194	160	12	0.12	2800	24.7	0.060	30
CDF2430150BM-C	207	194	160	24	0.07	2800	24.7	0.060	30
CDF1230190BM-C	245	232	198	12	0.14	2700	30.6	0.056	31
CDF2430190BM-C	245	232	198	24	0.08	2700	30.6	0.056	31



# 30 C Series

Model	Size (mm)			Voltage (V)	Current (A)	Speed (RPM)	Air Flow (CFM)	Pressure (in-H <sub>2</sub> O)	Noise (dB)
	A	B	C						
CDF1230250BM-C	295	282	248	12	0.16	2600	38.3	0.056	32
CDF2430250BM-C	295	282	248	24	0.09	2600	38.3	0.056	32
CDF1230290BM-C	347	334	300	12	0.18	2500	42.4	0.052	33
CDF2430290BM-C	347	334	300	24	0.09	2500	42.4	0.052	33
CDF1230350BM-C	399	386	352	12	0.20	2400	49.4	0.052	35
CDF2430350BM-C	399	386	352	24	0.10	2400	49.4	0.052	35