



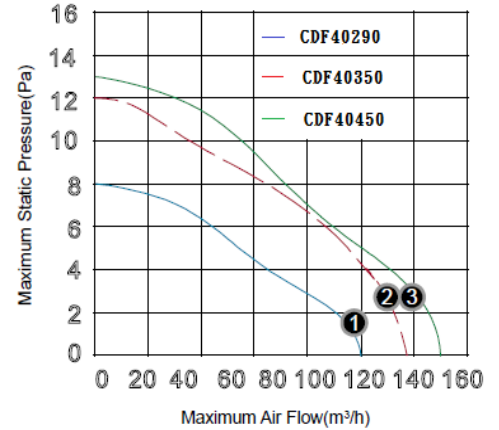
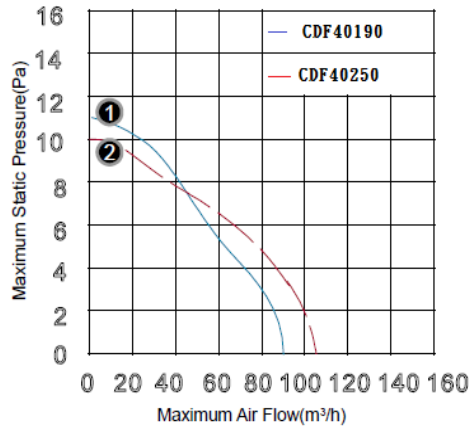
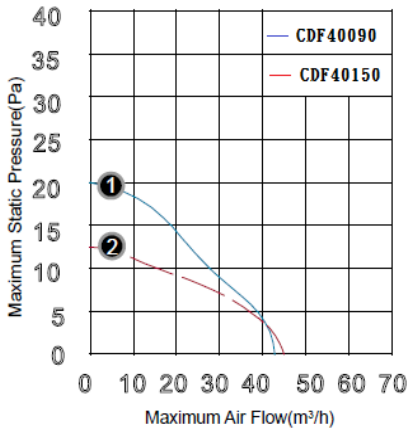
40 C Series



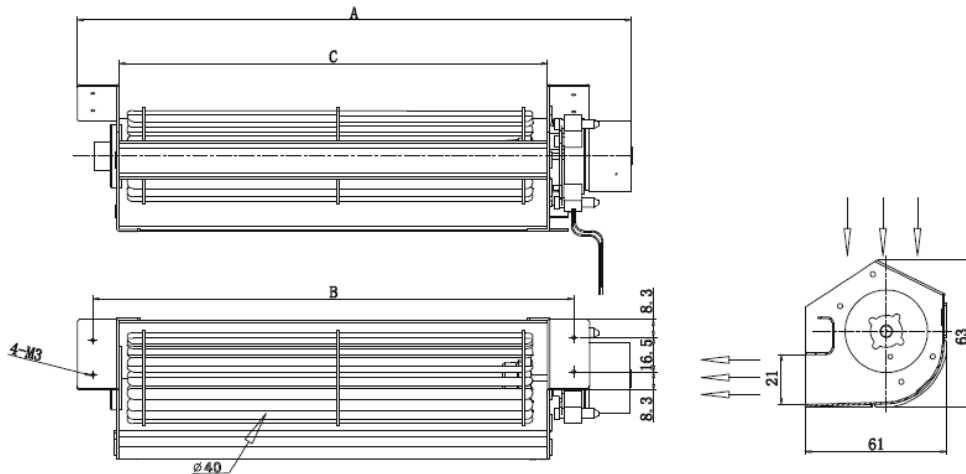
Motor : DC Single Phase Brushless Motor

Material: Frame: Steel / Impeller: Aluminum alloy

P-Q Curves



Drawing:



SPECIFICATION

Model	Size (mm)			Voltage (V)	Current (A)	Speed (RPM)	Air Flow (CFM)	Pressure (in-H2O)	Noise (dB)
	A	B	C						
CDF1240090BM-C	167	121	98	12	0.12	3000	24.7	0.114	33
CDF2440090BM-C	167	121	98	24	0.07	3000	24.7	0.114	33
CDF1240150BM-C	229	183	160	12	0.18	2700	35.3	0.102	34
CDF2440150BM-C	229	183	160	24	0.10	2700	35.3	0.102	34
CDF1240190BM-C	267	221	198	12	0.20	2500	49.4	0.098	35
CDF2440190BM-C	267	221	198	24	0.12	2500	49.4	0.098	35



40 C Series

Model	Size (mm)			Voltage (V)	Current (A)	Speed (RPM)	Air Flow (CFM)	Pressure (in-H2O)	Noise (dB)
	A	B	C						
CDF1240250BM-C	319	273	250	12	0.23	2400	63.0	0.094	36
CDF2440250BM-C	319	273	250	24	0.13	2400	63.0	0.094	36
CDF1240290BM-C	369	323	300	12	0.26	2300	74.2	0.083	37
CDF2440290BM-C	369	323	300	24	0.14	2300	74.2	0.083	37
CDF1240350BM-C	417	371	348	12	0.29	2200	84.7	0.079	38
CDF2440350BM-C	417	371	348	24	0.16	2200	84.7	0.079	38
CDF1240450BM-C	489	443	420	12	0.32	2000	91.8	0.071	39
CDF2440450BM-C	489	443	420	24	0.17	2000	91.8	0.071	39