



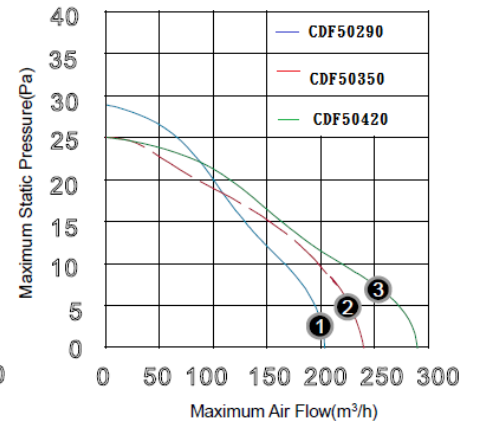
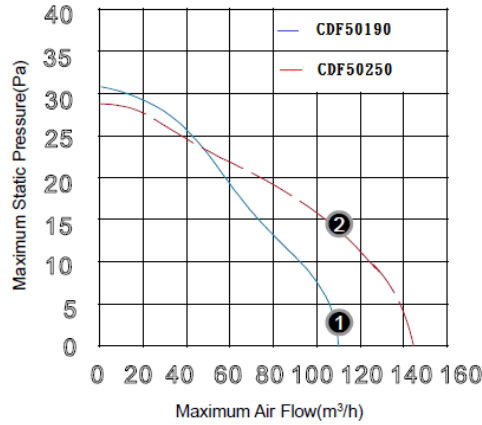
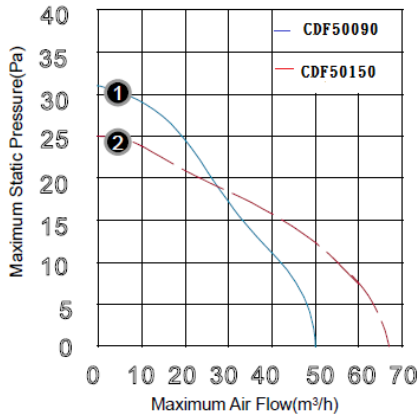
50 B Series



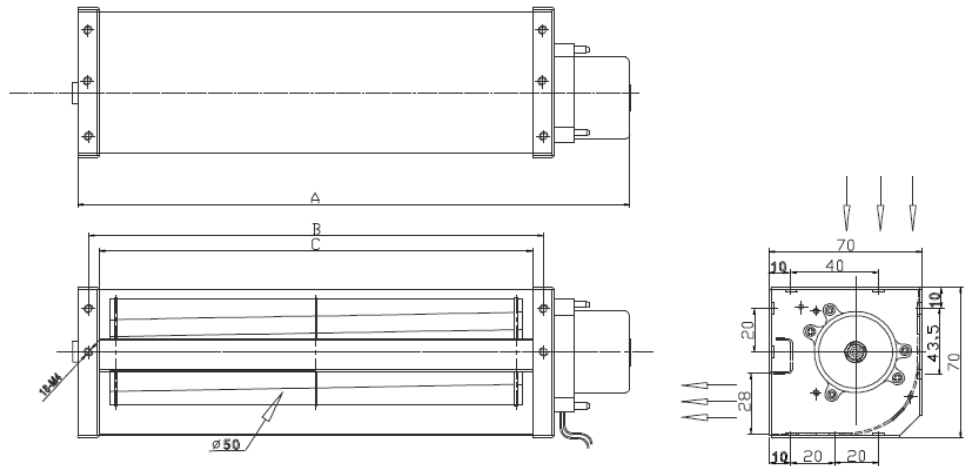
Motor : DC Single/Three Phase Brushless Motor

Material: Frame: Steel / Impeller: Aluminum alloy

P-Q Curves



Drawing:



SPECIFICATION

Model	Size (mm)			Voltage (V)	Current (A)	Speed (RPM)	Air Flow (CFM)	Pressure (in-H2O)	Noise (dB)
	A	B	C						
CDF1250090BM-B	166	108	98	12	0.20	2500	29.4	0.126	36
CDF2450090BM-B	166	108	98	24	0.11	2500	29.4	0.126	36
CDF1250150BM-B	229	168	158	12	0.30	2100	39.4	0.102	33
CDF2450150BM-B	229	168	158	24	0.16	2100	39.4	0.102	33
CDF1250190BM-B	266	208	198	12	0.56	2600	63.6	0.126	45
CDF2450190BM-B	266	208	198	24	0.30	2600	63.6	0.126	45



50 B Series

Model	Size (mm)			Voltage (V)	Current (A)	Speed (RPM)	Air Flow (CFM)	Pressure (in-H2O)	Noise (dB)
	A	B	C						
CDF1250250BM-B	310	258	248	12	0.73	2450	84.2	0.118	45
CDF2450250BM-B	310	258	248	24	0.36	2450	84.2	0.118	45
CDF1250290BM-B	390	308	363	12	0.79	2300	120.6	0.110	46
CDF2450290BM-B	390	308	363	24	0.40	2300	120.6	0.110	46
CDF1250350BM-B	422	368	358	12	0.90	2200	140.1	0.102	46
CDF2450350BM-B	422	368	358	24	0.46	2200	140.1	0.102	46
CDF1250420BM-B	476	428	418	12	0.93	2200	170.7	0.102	47
CDF2450420BM-B	476	428	418	24	0.48	2200	170.7	0.102	47