



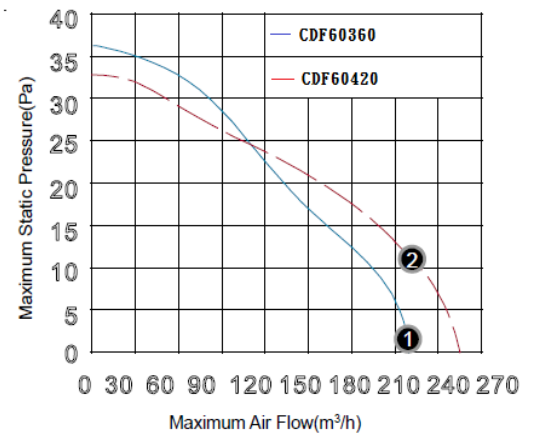
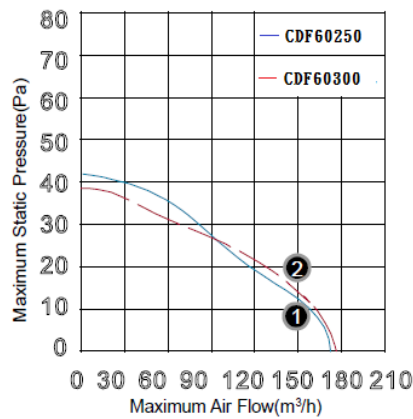
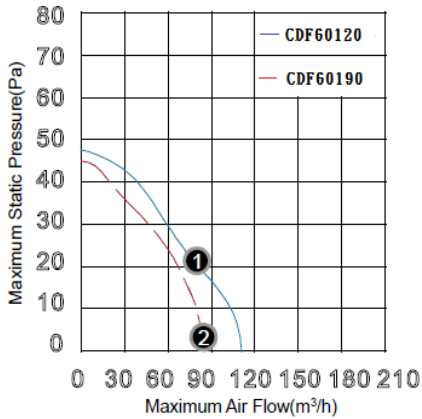
60 F Series



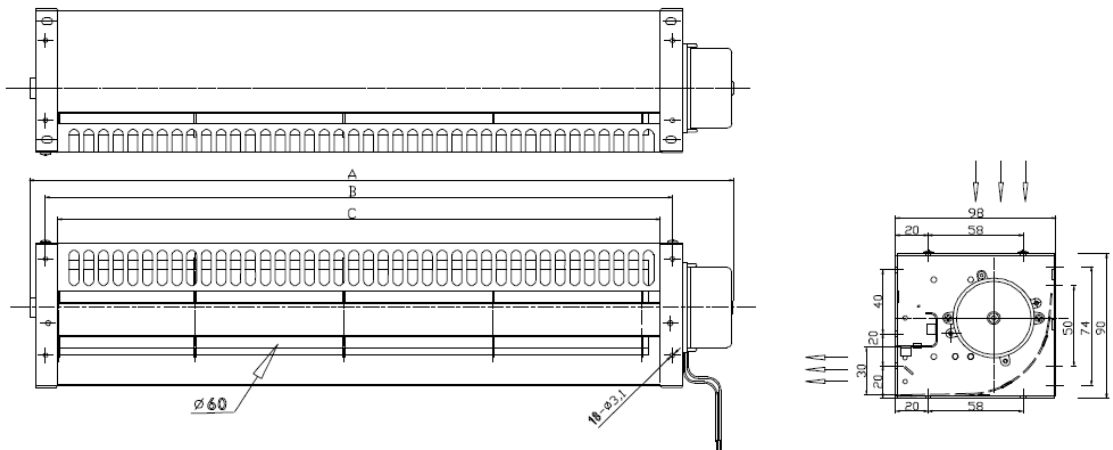
Motor : DC Single/Three Phase Brushless Motor

Material: Frame: Steel/ Impeller: Aluminum alloy

P-Q Curves



Drawing:



SPECIFICATION

Model	Size (mm)			Voltage (V)	Current (A)	Speed (RPM)	Air Flow (CFM)	Pressure (in-H2O)	Noise (dB)
	A	B	C						
CDF1260120BM-F	186	138	123	12	0.74	2600	60.0	0.197	44
CDF2460120BM-F	186	138	123	24	0.35	2600	60.0	0.197	44
CDF1260190BM-F	246	199	184	12	1.00	2400	81.8	0.181	44
CDF2460190BM-F	246	199	184	24	0.47	2400	81.8	0.181	44
CDF1260250BM-F	307	259	245	12	1.20	2200	99.5	0.165	44
CDF2460250BM-F	307	259	245	24	0.55	2200	99.5	0.165	44



60 F Series

Model	Size (mm)			Voltage (V)	Current (A)	Speed (RPM)	Air Flow (CFM)	Pressure (in-H2O)	Noise (dB)
	A	B	C						
CDF1260300BM-F	368	321	306	12	1.35	2100	113.0	0.157	45
CDF2460300BM-F	368	321	306	24	0.63	2100	113.0	0.157	45
CDF1260360BM-F	430	383	368	12	1.45	2000	124.8	0.150	46
CDF2460360BM-F	430	383	368	24	0.67	2000	124.8	0.150	46
CDF1260420BM-F	492	444	429	12	1.53	1900	149.5	0.134	47
CDF2460420BM-F	492	444	429	24	0.73	1900	149.5	0.134	47