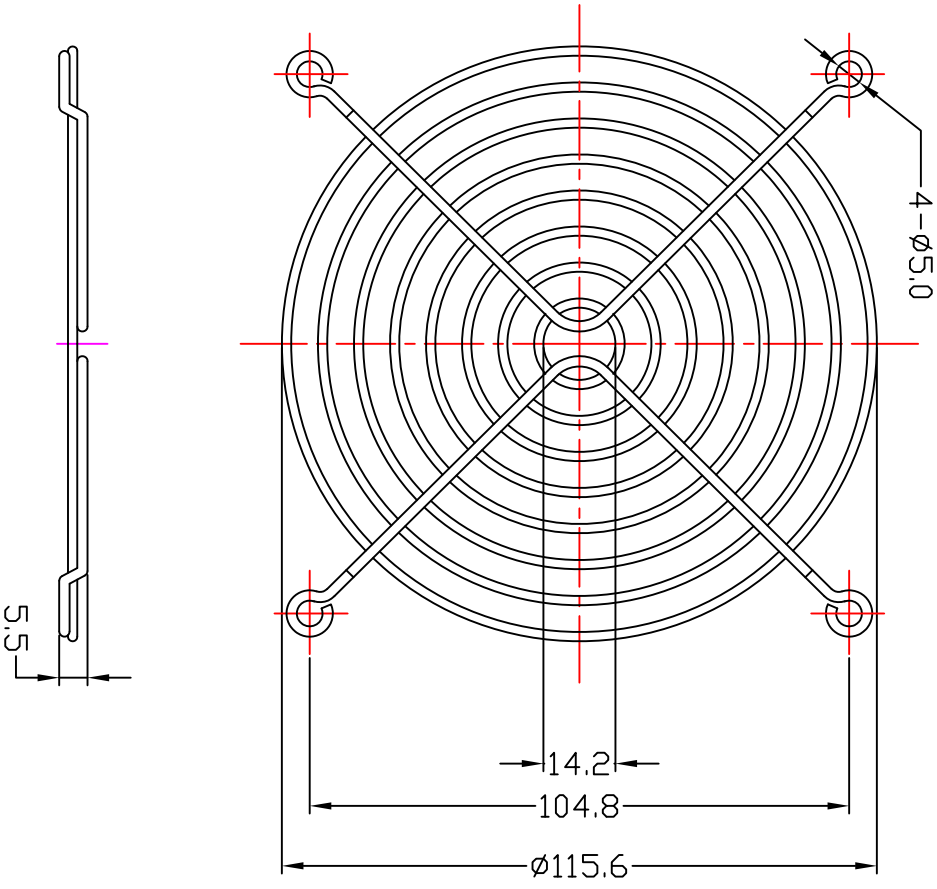


版次 EDITION	年月日 DATE	變更事項 REVISION RECORD	變更通知 REVISION NO.	核准 APPROVED



- NOTES(注):
- 1.MATERIAL: BRIGHT BASIC WIRE.
(1.材質:光澤金屬線)
 - 2.FINISH:BRIGHT NICKEL CHROME.
(2.處理:表面光澤電鍍)
 - 3.(1)RINGS(環圈) ARE ϕ 1.8mm.
(2)RIBS(支架) ARE ϕ 1.8mm.
 - 4.GENERAL TOLERANCE UNLESS NOTED: \pm 0.5mm.
(4.未標注公差為: \pm 0.5mm)
 - 5.UNIT(單位):mm.

		材質 MATERIAL	SEE NOTES	品名 TITLE	FAN GUARD
尺度 SCALE		處理 FINISH	SEE NOTES	圖號 PART NO.	CY-FG12
1	1				0
					REV

Chan Yu Technology Co., Ltd