

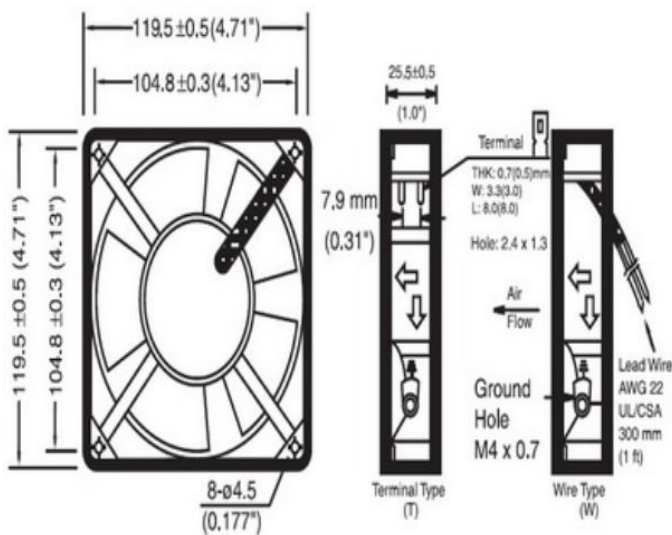


120x120x25 mm (4.72x4.72x0.98 in)

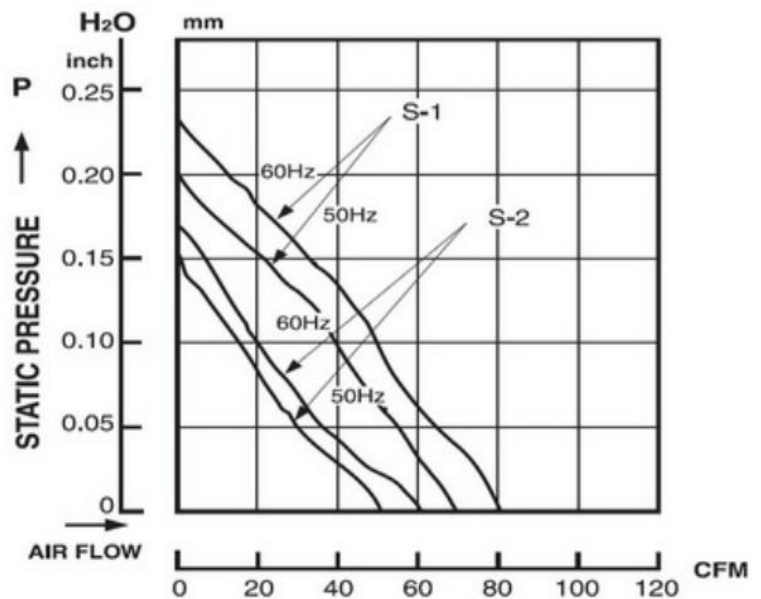


- Frame:** Die cast aluminum
- Impeller:** Plastic (UL 94V-0 P.B.T)
- Ambient Temperature Range:** -20°C ~ +70°C
- Operating Voltage Range:** Rated Voltage ±10%
- Bearing:** Ball & Sleeve bearing
- Motor Structure:** Shaded Pole
- Motor protection:** Impedance
- Termination:** Terminals & Lead wire
- Weight:** 380g / PC

Dimension (units:mm)



Characteristic Curves



SPECIFICATION

| Model | Voltage (V) | Freq. (Hz) | Current (A) | Power (W) | Speed (RPM) | Air Flow (CFM) | Pressure (mm Aq) | Noise (dB) |
|-----------|-------------|------------|-------------|-----------|-------------|----------------|------------------|------------|
| CY11225HB | 115 | 50/60 | 0.19/0.18 | 18/16 | 2000/2350 | 64/80 | 5.08/5.84 | 42/44 |
| CY21225HB | 230 | 50/60 | 0.12/0.11 | 18/16 | 2000/2350 | 64/80 | 5.08/5.84 | 42/44 |