

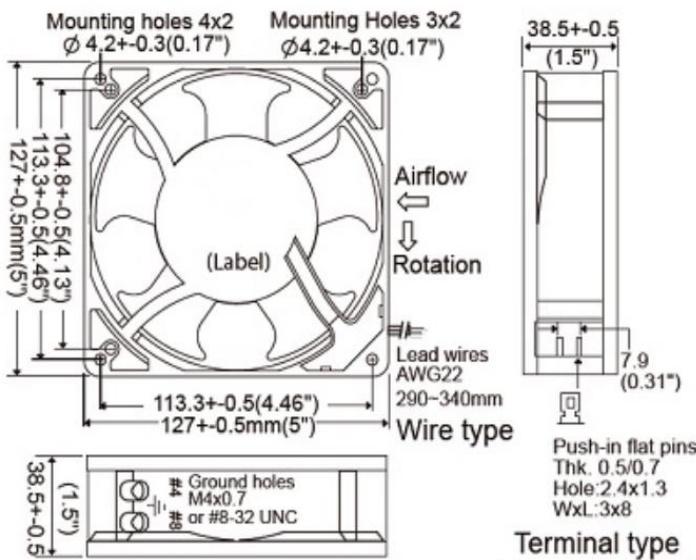


127x127x38 mm (5x5x1.49 in)

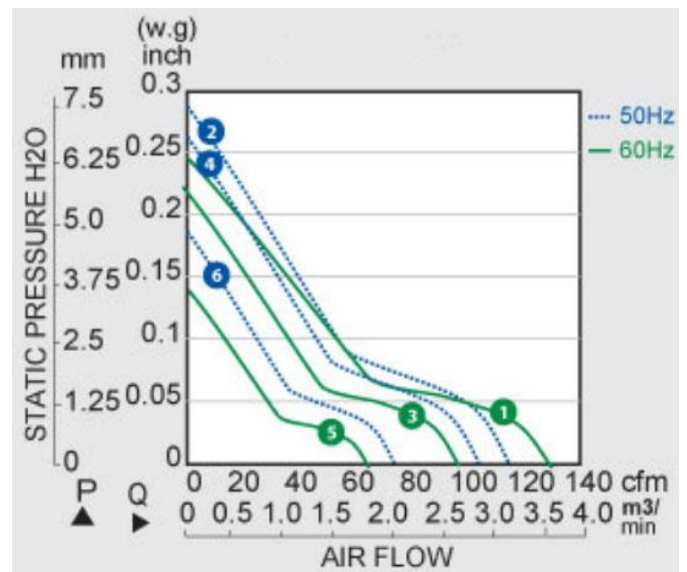


- Frame:** Die cast aluminum
- Impeller:** Plastic (UL 94V-0 P.B.T)
- Ambient Temperature Range:** -20°C ~ +70°C
- Operating Voltage Range:** Rated Voltage ±10%
- Bearing:** Ball & Sleeve bearing
- Motor Structure:** Shaded pole induction
- Motor protection:** Impedance
- Termination:** Terminals or Lead wire
- Weight:** 600g / PC

Dimension (units:mm)



Characteristic Curves



SPECIFICATION

Model	Voltage (V)	Freq. (Hz)	Power (W)	Speed (RPM)	Air Flow (CFM)	Pressure (mm Aq)	Noise (dB)
CY11338HB	115	50/60	16/14	2600/2750	115/130	7.37/6.35	46
CY21338HB	230	50/60	16/14	2600/2750	115/130	7.37/6.35	46