

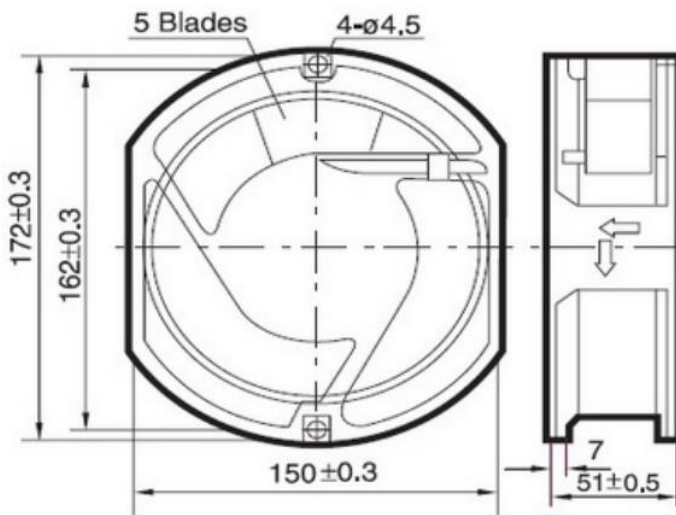


172x150x51 mm (6.77x5.9x2 in)

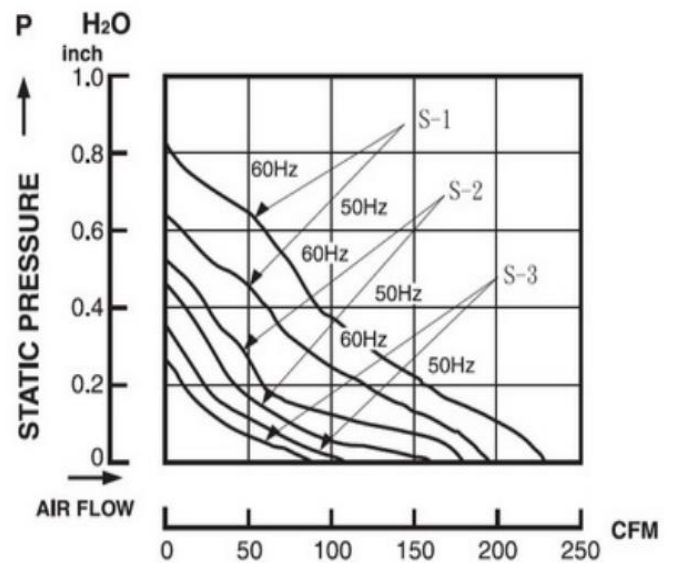


- Frame:** Die cast aluminum
- Impeller:** Plastic (UL 94V-0 P.B.T)
- Ambient Temperature Range:** -20°C ~ +70°C
- Operating Voltage Range:** Rated Voltage ±10%
- Bearing:** Ball bearing
- Motor Structure:** Shaded Pole
- Motor protection:** Impedance
- Termination:** Terminals & Lead wire
- Weight:** 1050g / PC

Dimension (units:mm)



Characteristic Curves



SPECIFICATION

Model	Voltage (V)	Freq. (Hz)	Current (A)	Power (W)	Speed (RPM)	Air Flow (CFM)	Pressure (mm Aq)	Noise (dB)
CY11751HB-N	115	50/60	0.5/0.45	38/35	2800/3100	190/235	16/20.06	50/45
CY21751HB-N	230	50/60	0.23/0.21	32/31	2800/3100	190/235	16/20.06	50/45