



ø172x51 mm
(ø6.77x 2 in)



Frame: Die cast aluminum

Impeller: Plastic

Ambient Temperature Range: -20°C ~ +70°C

Operating Voltage Range: Rated Voltage ±10%

Bearing: Ball (TÜV & UL approval)

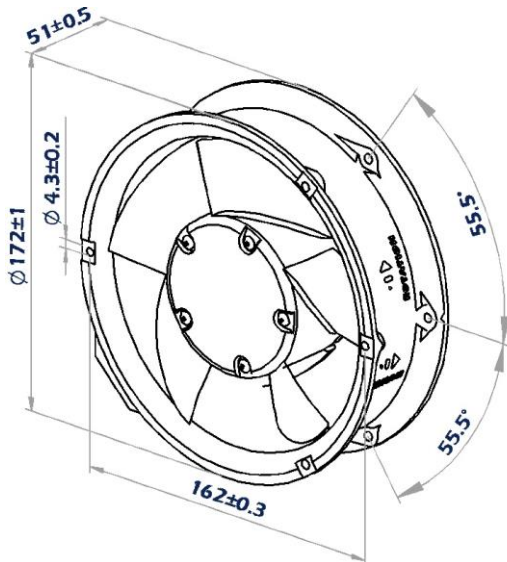
Motor Structure: AC Induction Capacitor Motor

Motor protection: Thermal Protected (Auto Restart)

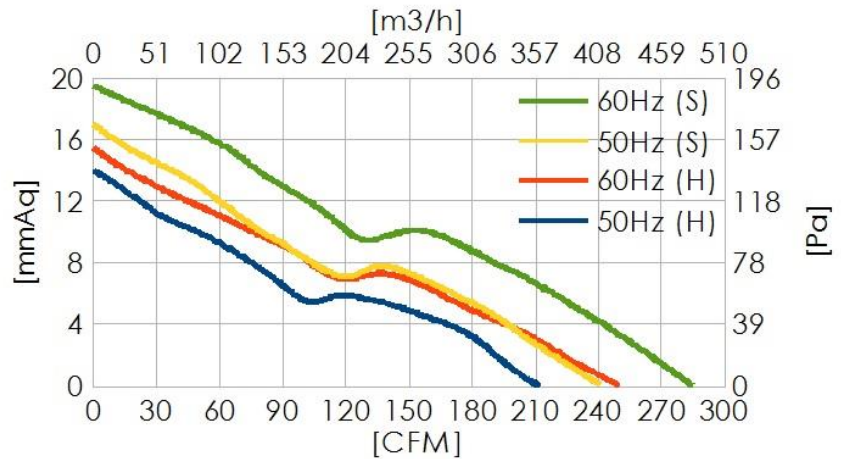
Termination: Terminals or Lead wire

Weight: 1050g / PC

Dimension (units:mm)



Characteristic Curves



SPECIFICATION

Model	Voltage (V)	Freq. (Hz)	Current (A)	Power (W)	Speed (RPM)	Air Flow (CFM)	Pressure (mm Aq)	Noise (dB)	TÜV UL
CY11751XB	115	50/60	0.28/0.24	27/27	2800/3300	240/285	17/20	55/61	✓
CY21751XB	230	50/60	0.11/0.12	24/27	2800/3300	240/285	17/20	55/61	✓
CY11751HB	115	50/60	0.25/0.23	27/27	2650/3050	210/250	14/15.5	53/59	
CY21751HB	230	50/60	0.11/0.11	26/26	2650/3050	210/250	14/15.5	53/59	